

Air Systems 15-110

ABS Systems	16-29
ABS Kits	16-18
ABS Sensors	18-19
ABS Valves	20-21
Electronic Control Units	21-22
Power Cords	22-23
Wabash MBS	24-29
Air Tanks	30-37
Air Treatment Systems	38-41
Fittings	42-56
Air Brake Fittings	42-44
Brass Pipe Fittings	44-47
Bulkhead Fittings	48-50
Nylon Tube Fittings	50-53
Push-In Fitting, D.O.T.	54-55
Additional Fittings	56
Gladhands	57-66
Accessories	62-66
Hoses	67-74
Coiled Air	67
Nylon Tubing	68
Rubber Air Hose	68-70
Slider Hose	71
Accessories	71-74
Tire Inflation Components	75-81
Valves	82-110

Air Systems

AIR

ABS Systems

ABS Kits

TABS-6 Replacement Kit
BEN802902



Bendix

5-pin ABS pigtail
Length: 234in.

Full Function ABS Kit
HDXAQ961402



Haldex

2S/1M - Multi Axle Applications
PLC Select ECU; Wheel Sensors

Solenoid Kit
MIDAQ40525



Haldex

ECU Upgrade Kit
MIDAQ964110



Haldex

Easy-Stop Trailer ABS

ABS ECU / Valve Kit
MTRR955320



Meritor

4S/2M - Enhanced Easy-Stop™ ECU/Valve (MTRS400-500-103-0) & Power Cable Adapter (MTRS894-607-312-0) for Easy-Stop Cable

ABS Assy Kit
MTRR955322



Meritor

2S/1M Dollies
TCS2

ECU / Valve Replacement Kit

Description	
Kit	MTRR955344
Bracket	MTRS478-407-058-4
Valve	MTRS472-195-033-0



Meritor

2S/1M Trailer; Enhanced Easy-Stop™; Includes: ECU/Valve, Power Cable Adaptor, For Easy Stop Harness

ECU / Valve Replacement Kit
MTRR955345



Meritor

2S/1M Trailers; Includes: ECU/Valve, Power/ Diagnostic Adapter

ABS Kits

ABS Systems

ECU / Valve Assembly

Description	
 Kit	MTRS400-500-101-0
Bracket	MTRS478-407-058-4
Valve	MTRS472-195-033-0

Meritor



2S/1M Trailers
MTRS446-108-201-0 ECU Only

Enhanced Easy-Stop ECU / Valve Assembly

Description	
 Kit	MTRS400-500-102-0
ECU	MTRS400-850-600-0
Valve	MTRS400-850-602-0

Meritor



2S/2M Trailer; Enhanced Easy-Stop™

ECU / Valve Assembly

Description	
 Kit	MTRS400-500-103-0
ECU	MTRS400-850-601-0
Valve	MTRS400-850-602-0

Meritor



2S/2M, 4S/2M, 4S/3M; Trailer

ECU / Valve Assembly

Description	
 Kit	MTRS400-500-104-0
ECU	MTRS446-108-204-0
Valve	MTRS472-195-033-0

Meritor



2S/1M Dollies; Enhanced Easy-Stop™

Modulator Valve Cable MTRS894-606-275-2



Meritor

Length: 1.65 ft.
Enhanced Easy-Stop™ - Connects Relay Valve to ECU

Adapter Cables

MTRS894-607-312-0



Meritor

Easy-Stop Power Cable to Enhanced Easy-Stop™ ECU

MERITOR

More Information

Meritor WABCO Enhanced Easy-Stop™ ABS Guide

2S/1M Basic

2-sensor/1-ABS relay valve system provides increased directional stability while meeting FMVSS-121 requirements. Recommended for converter dolly and semi-trailer applications.

2S/2M Standard

2-sensor/2-ABS relay valve system delivers extra control and directional stability with increased protection against tire flatspotting. Valves can be serviced individually. Recommended for single and tandem axle semi-trailers.

2M Premium

Choice of 2 or 4 sensors. A third relay valve is available on 4-sensor model. Recommended for tandem axle semi-trailers, multi-axle or full trailers.

Air Systems

AIR

ABS Systems

ABS Kits

Retrofit Kits

ECU Valve Kit
BEN802997



ABS Relay Valve Retrofit Kit
HDXAQ960510



MBS Retrofit Kit
HDXAQ960514



MBS1/1P Retrofit Kit
MTRR955374



ABS Sensors

	Length	Body
BEN801538	6.25 ft.	90°
BEN801544	1 ft.	90°
PROEL801544	1 ft.	90°
MIDAL10271914	1.6 ft.	90°
MIDAL10271915	6.6 ft.	90°
MTRR955335	1 ft.	90°
PROEL955335	1 ft.	90°
MTRR955336	3 ft.	90°
MTRR955341	5.8 ft.	90°
MTRR955342	6.6 ft.	90°
PROEL955342	6.6 ft.	90°
MTRR955604	6.5 ft.	90°
MTRR955605	5.5 ft.	90°

	Length	Body
BENK029519	1 ft.	Straight
MIDAL1027196	1.6 ft.	Straight
MTRR955329	5.6 ft.	Straight
MTRR955338	5.8 ft.	Straight
MTRR955607	3.28 ft.	Straight
MTRR955615	1.3 ft.	Straight



ABS Sensors

Accessories

Extensions

	Length	Connectors
BEN802025	6.7 ft.	WS-24
BEN802026	10 ft.	WS-24
BEN802052	5 ft.	Straight Connectors / TAB6
MIDAL919800	1.6 ft.	
MIDAL919801	3.3 ft.	Straight Connectors
MIDAL919802	4.9 ft.	Straight Connectors
MIDAL919803	6.6 ft.	
MIDAL919804	8.2 ft.	Straight Connectors
MIDAL919805	9.8 ft.	Universal
MIDAL919806	11.5 ft.	
MIDAL919807	13.1 ft.	Universal
MTRS449-713-018-0	6 ft.	Straight Male / 90° Female
MTRS449-713-030-0	10 ft.	Straight Male / 90° Female
MTRS449-713-050-0	16 ft.	Straight Male / 90° Female



(MIDAL919801)



(MTRS449-713-050-0)

ABS Sensor Bracket MTR2255T1346



Meritor

Weld-on, Fabricated

ABS Sensor Bracket MTR2255U1113



Meritor

Weld-on, Cast

ABS Sensor Clip MTRR955458



Meritor

ABS Sensor Clip PROEL955458



Pro-Par

Tech Tip

Sensor Interchange

When replacing ABS sensors, you can use a Bendix or Midland sensor in a Meritor system, but you cannot use a Meritor sensor in a Midland or Bendix system. This is based on what the sensors Ohm out at.

Air Systems

AIR

ABS Systems

ABS Valves

Trailer ABS Module
BEN801856



Bendix

2S/1M; TABS 6 Premium
Auto Config.: 2S/2M, 4S/2M, 4S/3M

Traction Relay Valve
BEN801993



Bendix

5.5 PSI Crack Pressure
12v, Includes Bracket; ATR3 Valve

Module Replacement Kit

Pigtail Length
60 in.
234 in.

BENK019708

BENK019711



Bendix

2S/1M; TABS 6 ABS for servicing
A-18 Trailer ABS Modules
Length: 234 in. Pigtail

ABS Module
BENK109808



Bendix

ECU/Valve
TABS6-S

ABS Relay Valve

	Delivery	Delivery Size	Mount	Power
MIDAL364040	2 Port	3/8 in.	1/2 in. Reservoir	12v
MIDAL364041	6 Port	3/8 in.	1/2 in. Reservoir	12v
MIDAL364045	2 Port	3/8 in.	1/2 in. Frame	12v



(MIDAL364040)



(MIDAL364041)



(MIDAL364045)

Haldex

ABS Valve Kit
MTRR955378



Meritor

External modulator valve and adapter
For trailers produced before April 1999

Air Valve Switch
TRA38046



Tramec

12 volt
1/8 in. - 27 NPTF

ABS Valves

Full Function Relay Valves

	Delivery	Brake Priority	Mount	Power
MIDAL430614	4 Port 3/8 in.	Service	1/2 in. & 3/4 in. Reservoir	12v
MIDAL430624	4 Port 3/8 in.	Spring	1/2 in. & 3/4 in. Reservoir	12v
MIDAL430664	2 Port 3/8 in.	Spring	1/2 in. & 3/4 in. Reservoir	12v
MIDAL430666	4 Port 3/8 in.	Spring	1/2 in. & 3/4 in. Reservoir	12v
MIDAL430668	4 Port 3/8 in.	Service	1/2 in. & 3/4 in. Reservoir	12v
MIDAL430670	2 Port 3/8 in.	Spring	1/2 in. & 3/4 in. Reservoir	12v



(MIDAL430614)



(MIDAL430624)



(MIDAL430664)



(MIDAL430666)



(MIDAL430668)



(MIDAL430670)

Haldex

Electronic Control Units

	Type	Additional
MIDAL919338	PLC Select	2S/1M - Multi Axle
MIDAL919339	PLC Select	2S/1M - Dollies & Single Axle
MIDAL919340	PLC Select	2S/1M - Multi Axle, Longer Valve Cable Lead
MIDAL919341	PLC Select	2S/1M - Dollies & Single Axle, Longer Valve Cable Lead
MIDAL919342	PLC Select	4S/2M - Multi Axle



(MIDAL919338)



(MIDAL919339)



(MIDAL919340)



(MIDAL919341)



(MIDAL919342)

Haldex

Replacement ECU

	For
MTRS446-108-201-0	2S/1M Trailers
MTRS446-108-204-0	2S/1M Dollies



(MTRS446-108-201-0)

Meritor

More Information

ECUs

ECUs, Electronic Control Units, allow the user to control the vehicle's electronics. Wheel-speed sensors and trailer power connects directly into them, with no intermediate cables required.

Air Systems

AIR

ABS Systems

Electronic Control Units

Accessories

ECU Mounting Bracket
MIDA920811



Haldex

PLCS Select Only

ECU / Valve Mounting Bracket
MTRS478-407-058-4



Meritor

2S/1M Assemblies Only

Electronic Control Module Housing
IMXGT-6201



Material: Zinc Die Cast

Haldex

Power Cords

Extensions

	Length	Connectors
MIDAL919903	3.3 ft.	5 Pin Male / 5 Pin Female
MIDAL919900	6.6 ft.	5 Pin Male / 5 Pin Female
MIDAL919901	13.1 ft.	5 Pin Male / 5 Pin Female
MIDAL919902	19.7 ft.	5 Pin Male / 5 Pin Female



MIDAL919902

Haldex

Easy-Stop™ Power Cables

	Length	Connectors
MTRS894-604-944-0	3 ft.	Male Pin
MTRS-894-604-945-0	13 ft.	Male Pin
MTRS894-606-038-0	14 ft.	Male Pin
MTRS894-606-050-0	20 ft.	Male Pin



Meritor

Weather Pack Correction

Power Cords

Enhanced Easy-Stop™ Power Cables

	Length	Connectors
MTRS449-326-005-0	1.6 ft.	Male Pin / 5 ft. Conductor
MTRS449-326-010-0	3.3 ft.	Male Pin
MTRS4493260300	10 ft.	Male Pin
MTRS449-326-047-0	14 ft.	Male Pin
MTRS449-326-060-0	20 ft.	Male Pin



Enhanced with Weather Pack Connection

Meritor

Power / Diagnostic Cables

	Power Length	Diagnostic Length
MTRS449-364-142-0	1.6 ft.	10 ft.
MTRS449-364-143-0	3 ft.	10 ft.
MTRS449-364-150-0	13 ft.	10 ft.
MTRS449-364-153-0	20 ft.	10 ft.



Enhanced Y-Style; Easy-Stop™ Connectors

Meritor

Power Cords

ABS/PSI Harness WAB14402619



Wabash

Brake Monitoring Systems

BMS-2 HDXAL95694



Haldex

Application: ABS Equipped Dollies & Trailers

Accessories

Terminal Kit MIDAQ15473



Haldex

5-way Replacement Connector for Power Cords (ABS) SN154GC

RSS Sensor Extension MTRS4497230180



Meritor

Length: 6 ft.

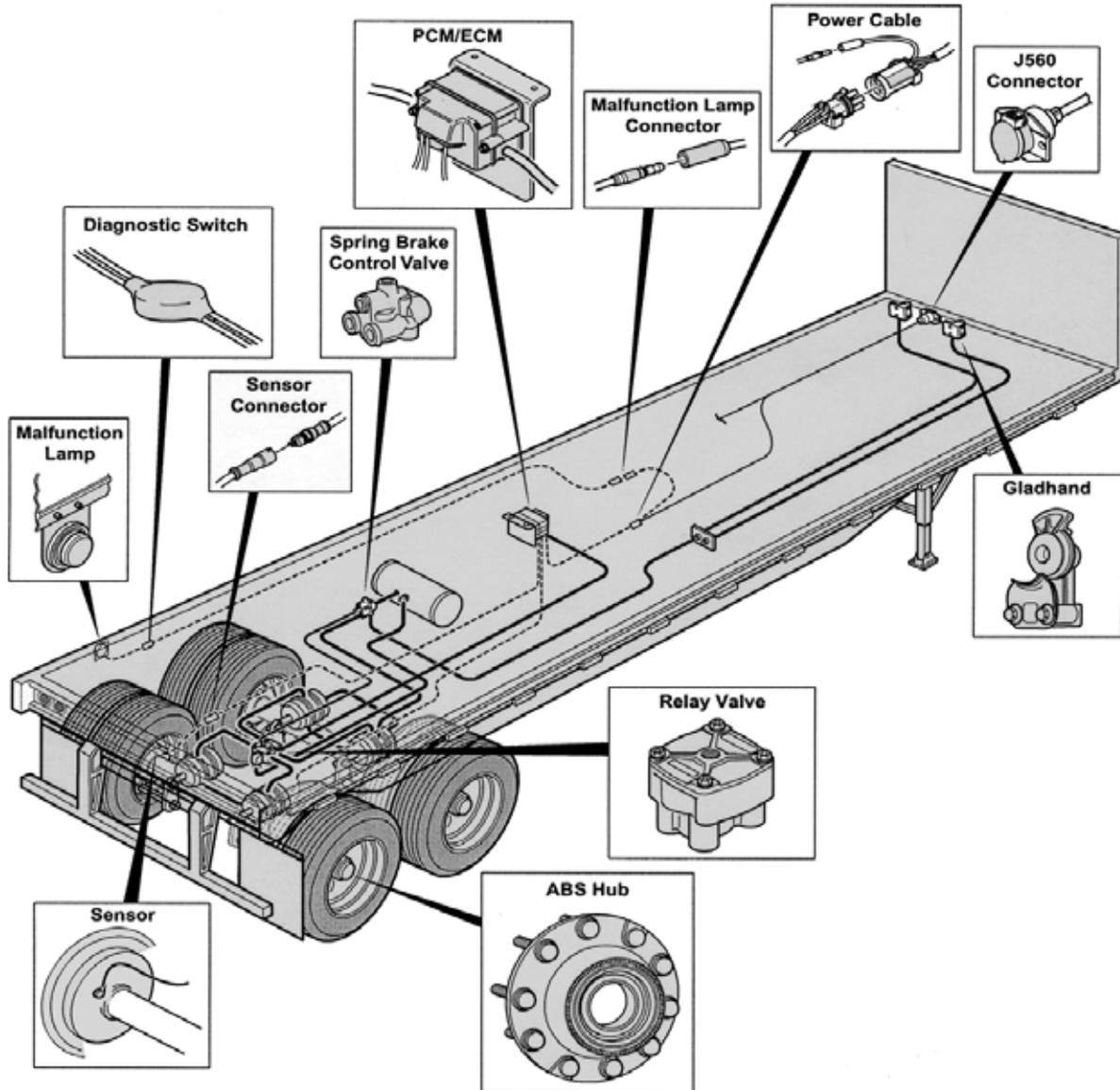
Air Systems

AIR

ABS Systems

Wabash ABS MBS-1

PROMBS1-1



Wabash ABS MBS-1

Components

Part Number	Description
PROTHO-313	ECU, 2S/1M Long Power Cable
WAB10800250	Valve



(PROTHO-313)



(WAB10800250)

WAB12S00475	MBS-1 Mounting Bracket (optional)
--------------------	-----------------------------------

BLT00650[^]	Bolt
-----------------------------	------

NUT-HNU04	Lock Nut, 1/4 in.-20 Grd 5
------------------	----------------------------

WSH-WWU04	Washer
------------------	--------

MIDAL10271914	ABS Sensor; 1-1/2 ft.
----------------------	-----------------------



MIDA59512309	ABS Sensor Clip - Midland
---------------------	---------------------------

MTRR955458	ABS Sensor Clip - S/S Wabco
-------------------	-----------------------------

MTRR955459	ABS Sensor Clip - Composite Wabco
-------------------	-----------------------------------



(MIDA59512309)



(MTRR955458)

WAB14401359	ABS Wiring Harness; 48 ft.
--------------------	----------------------------



Part Number	Description
WAB14402251	ABS Malfunction Lamp Harness with Diagnostic Switch; 2 ft.

TRU30275Y	Yellow ABS Malfunction Lamp
------------------	-----------------------------

TRU30702	Malfunction Lamp Grommet
-----------------	--------------------------

WAB14A00054	Malfunction Lamp Bracket
--------------------	--------------------------

WAB14A00050	90° Malfunction Lamp Bracket
--------------------	------------------------------



(WAB14402251)



(TRU30275Y)



(TRU302702)



(WAB14A00054)



(WAB14A00050)

BEN800677	Relay Valve
------------------	-------------



25000978[^]	Flash Code Label
-----------------------------	------------------

ABS Systems



[^]Part included for reference only.

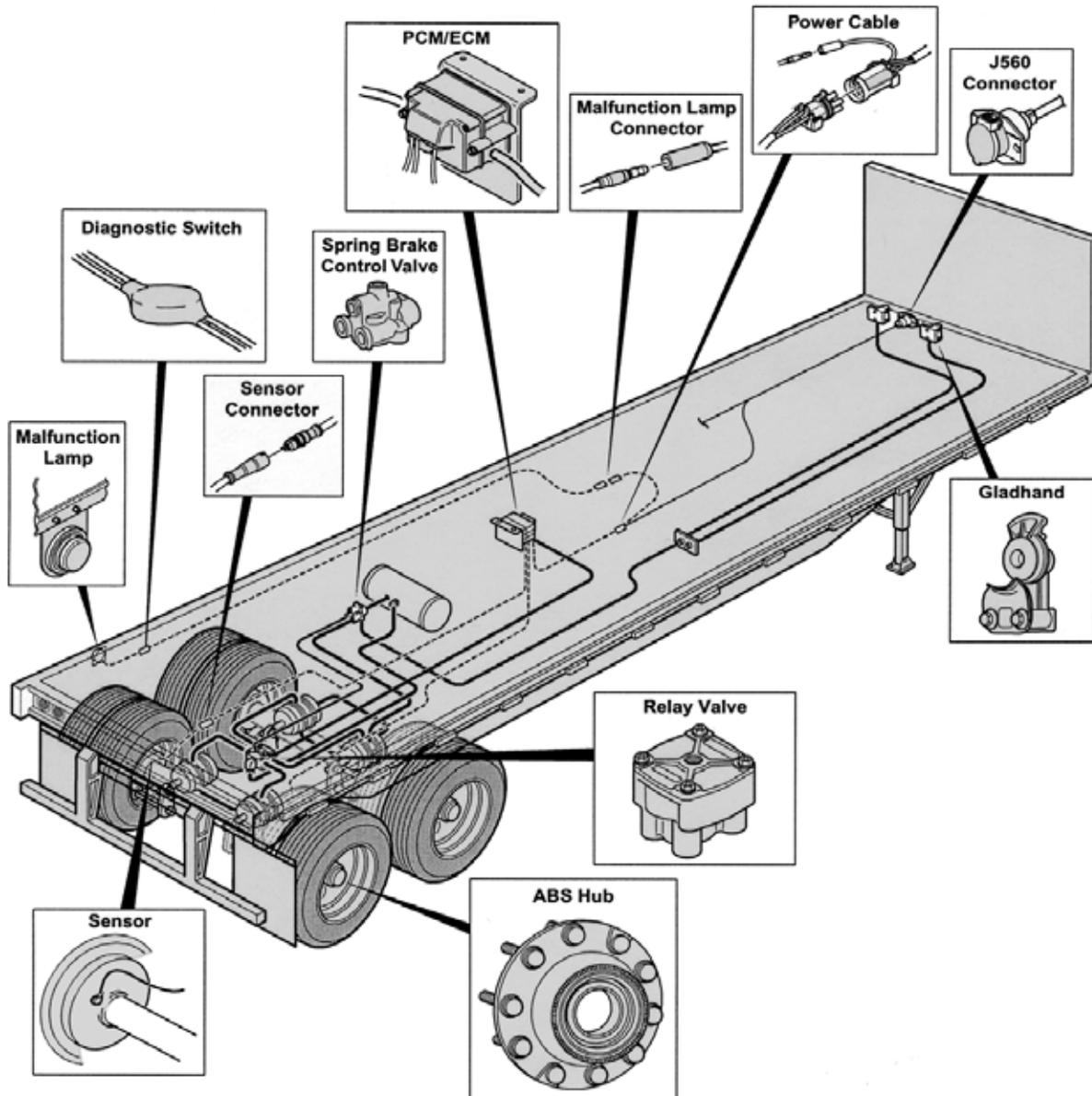
Air Systems

AIR

ABS Systems

Wabash MBS-1P

PROMBS1-1P



Wabash MBS-1P

Components

Part Number	Description
PROTHO-313	2S-1M Long Power Cable
THO-357[^]	2S-2M Short Power Cable
THO-358[^]	2S-2M Long Power Cable
THO-362[^]	4S-1M Short Power Cable
PROTHO-353	4S-1M Long Power Cable
THO-359[^]	4S-2M Short Power Cable
THO-360[^]	4S-2M Long Axle by Axle
THO-361[^]	4S-2M Short Power Cable
PROTHO-349	4S-2M Long Axle by Axle
WAB10800250	Valve



(PROTHO-313)



(WAB10800250)

WAB12S00475	MBS-1 Mounting Bracket (optional)
--------------------	-----------------------------------

BLT00650[^]	Bolt
NUT-HNU04	Lock Nut, 1/4 in.-20 Grd 5
WSH-WWU04	Washer
MIDAL10271914	ABS Sensor; 1.5 ft.



MIDA59512309	Sensor Clip - Midland
MTRR955458	Sensor Clip - S/S Wabco
MTRR955459	Sensor Clip - Composite Wabco



(MIDA59512309)



(MTRR955458)

Part Number	Description
WAB14402251	ABS Malfunction Lamp Harness with Diagnostic Switch; 2 ft.
TRU30275Y	Yellow ABS Malfunction Lamp
TRU30702	Malfunction Lamp Grommet
WAB14A00054	Malfunction Lamp Bracket
WAB14A00050	90° Malfunction Lamp Bracket



(WAB14402251)



(TRU30275Y)



(TRU302702)



(WAB14A00054)



(WAB14A00050)

BEN800677	Relay Valve
------------------	-------------



25000945[^]	Flash Code Label
-----------------------------	------------------



[^]Part included for reference only.

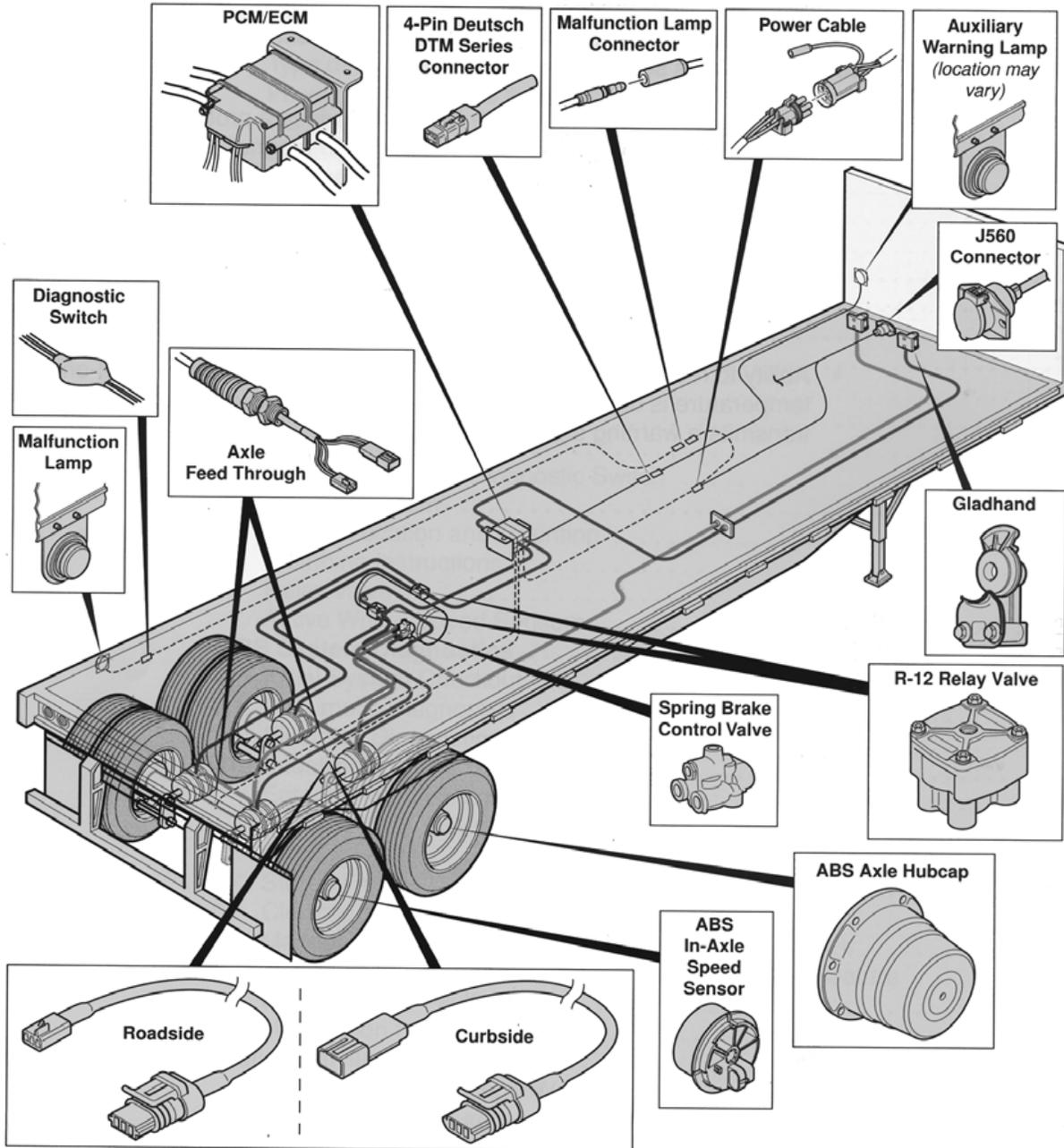
Air Systems

AIR

ABS Systems

Wabash MBS-2

PROMBS2-1



Wabash MBS-2

Components

Part Number	Description
PROTHO-316	2S-1M Short Power Cable - 168 in.
THO-317[^]	2S-1M Long Power Cable - 30 in.
PROTHO-318	2S-2M Short Power Cable - 168 in.
THO-319[^]	2S-2M Long Power Cable - 30 in.
PROTHO-320	4S-1M Short Power Cable - 168 in.
THO-321[^]	4S-1M Long Power Cable - 30 in.
PROTHO-315	4S-2M Short Power Cable - 168 in.
THO-324[^]	4S-2M Long Axle by Axle - 30 in.
THO-322[^]	4S-2M Short Power Cable - 168 in.
THO-323[^]	4S-2M Long Side by Side - 30 in.
WAB10800250	Vavle



(PROTHO-316) ///



(WAB10800250)

WAB10600530	ABS Hubcap for In-Axle Sensor with TP-Spindle 6 Hole
--------------------	--

WAB10600482	ABS Hubcap; Duckbill Vent
--------------------	---------------------------



(WAB10600530)



(WAB10600482)

Accessories

Hubcap Gasket
WAB10600483

10800294[^]	Spindle Extension Adapter for In-Axle - Sensor (Aluminum Hub)
-----------------------------	---

WAB10800282	Curbside In-Axle Sensor
--------------------	-------------------------

WAB10800283	Roadside In-Axle Sensor
--------------------	-------------------------

WAB10800291	Curbside In-Axle Sensor Cable - 60 in.
--------------------	--

WAB10800292	Roadside In-Axle Sensor Cable - 60 in.
--------------------	--

BLTF9921723-0192	Speed Sensor Mounting Bolt (Standard Hub)
-------------------------	---

WSH00152	Mounting Bolt Wave Washer (Standard Hub)
-----------------	--

Part Number	Description
WAB12S00475	MBS-1 Mounting Bracket (Optional)
BLT00650[^]	Bolt - 3-1/2 in. 1M System
BLT00732[^]	Bolt - 5-1/2 in. 2M System
NUT-HNU04	Lock Nut, 1/4 in.-20 Grd 5
WSH-WWU04	Washer
WAB14401359	ABS Wiring Harness 48 ft.



WAB14402251	ABS Malfunction Lamp Harness with Diagnostic Switch; 2 ft.
--------------------	--

TRU30275Y	Yellow ABS Malfunction Lamp
------------------	-----------------------------

TRU30702	Malfunction Lamp Grommet
-----------------	--------------------------

WAB14A00054	Malfunction Lamp Bracket
--------------------	--------------------------

WAB14A00050	90° Malfunction Lamp Bracket
--------------------	------------------------------



(WAB14402251)



(TRU30275Y)



(TRU302702)



(WAB14A00054)



(WAB14A00050)

BEN800677	Relay Valve
------------------	-------------



25000945[^]	Flash Code Label
-----------------------------	------------------

MTR1250F-526	Freeze Plug
---------------------	-------------



[^]Part included for reference only.



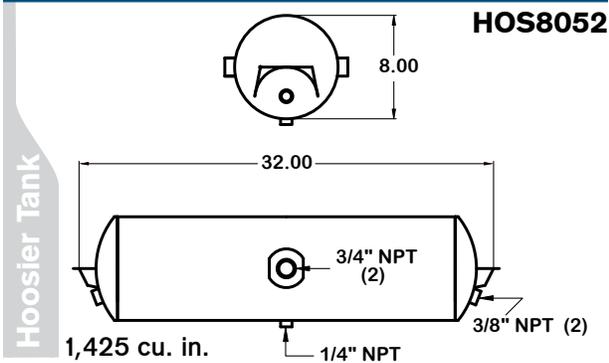
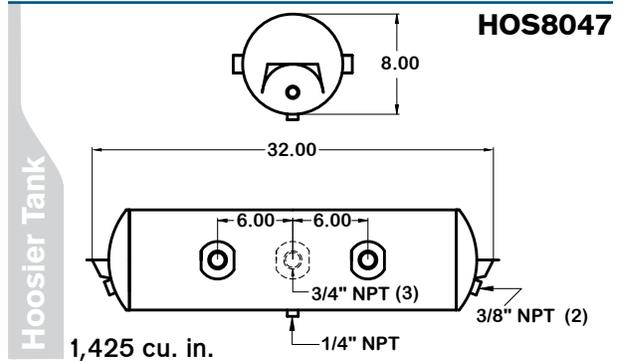
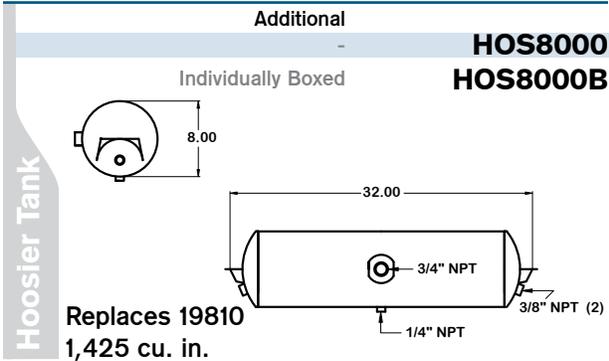
Air Systems

AIR

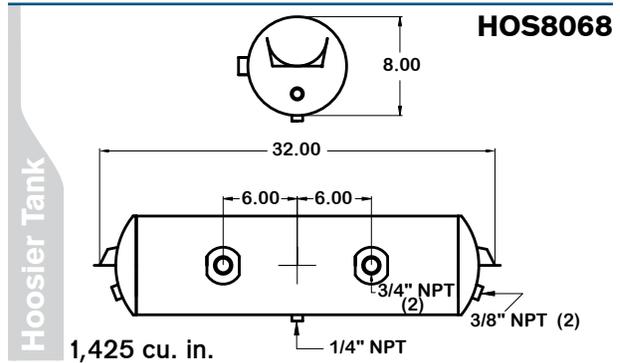
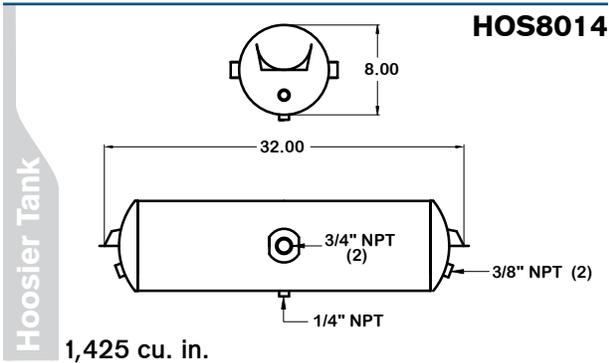
Air Tanks

Air Tanks

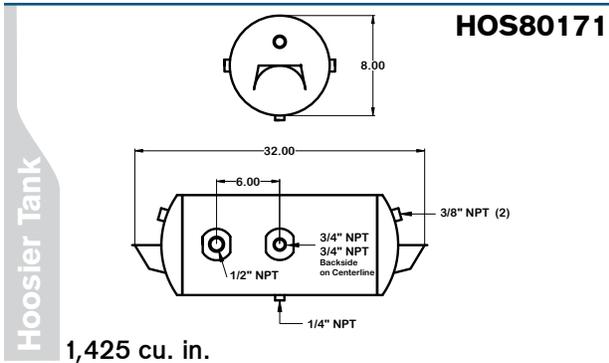
HT-8000: Sub-Series 1 Bottom Mount



HT-8000: Sub-Series 2 Top Mount



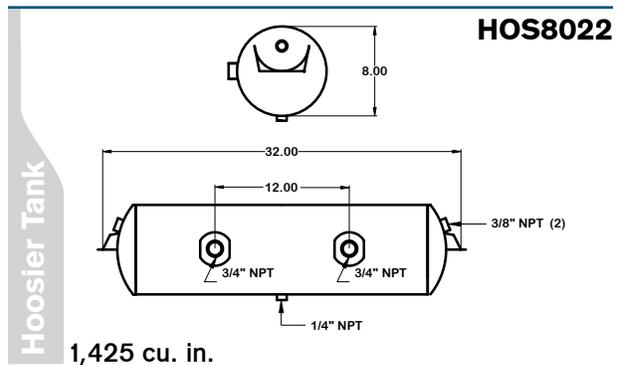
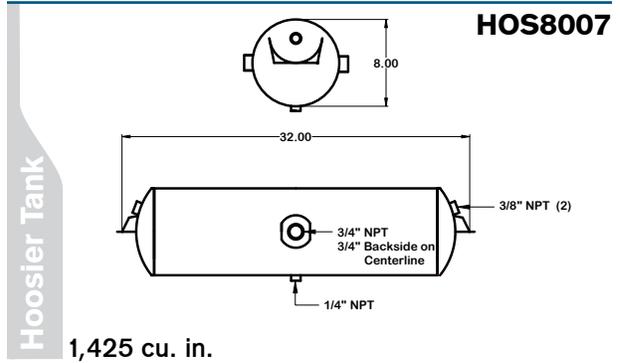
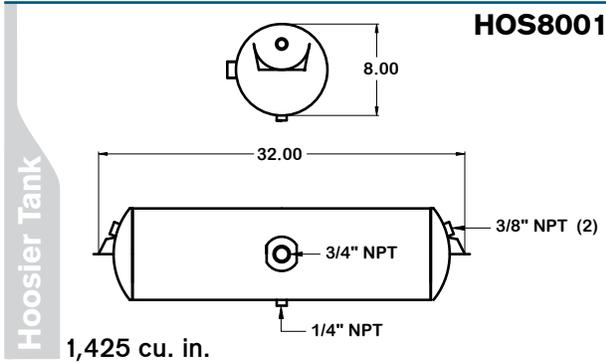
HT-8000: Sub-Series 3 Bottom Mount



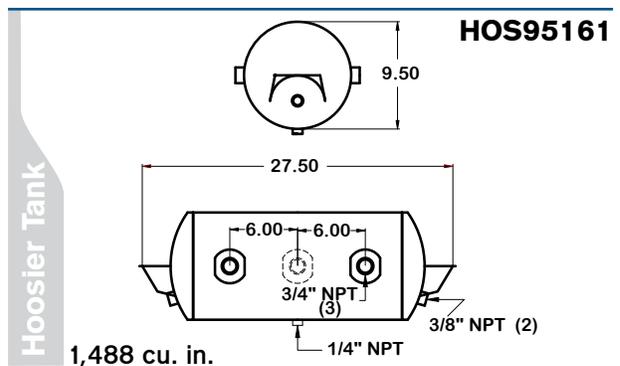
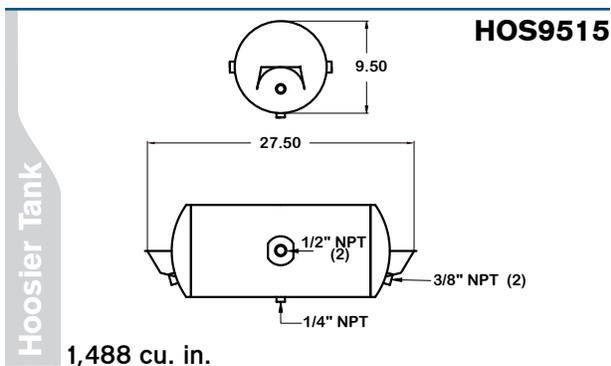
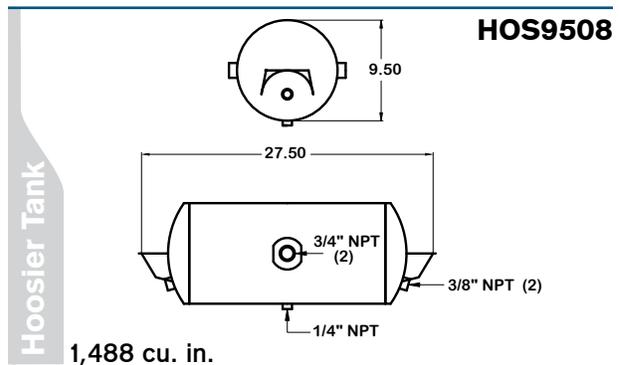
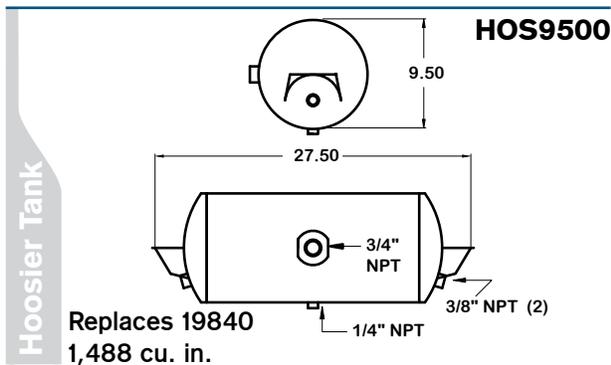
Air Tanks

Air Tanks

HT-8000: Sub-Series 4 Top Mount



HT-9500: Sub-Series 1 Bottom Mount



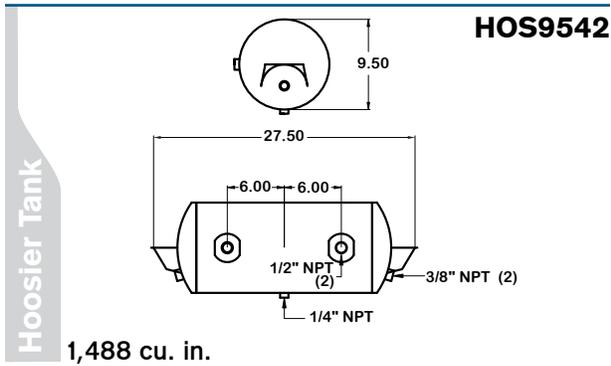
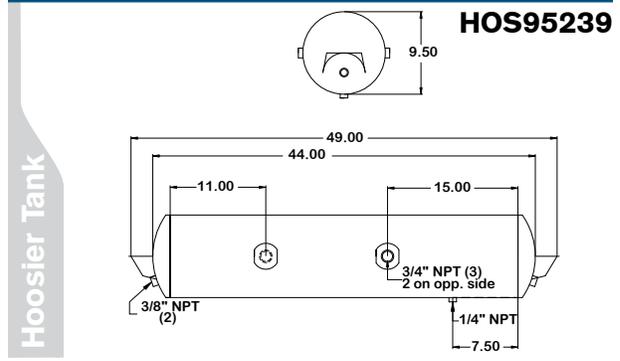
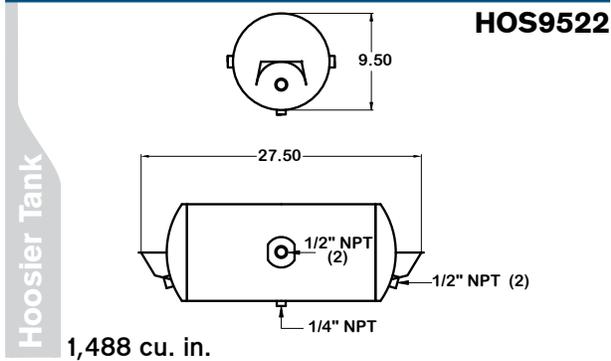
Air Systems

AIR

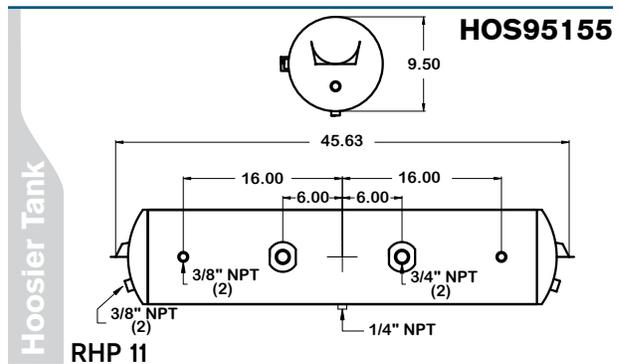
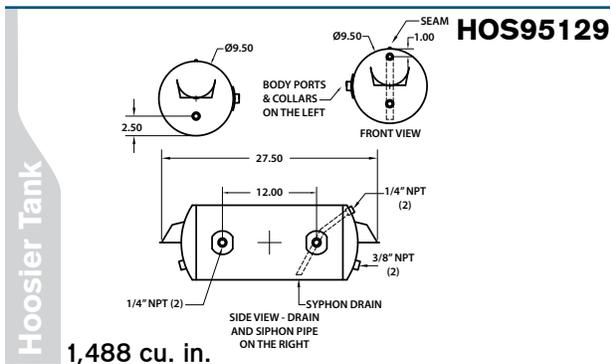
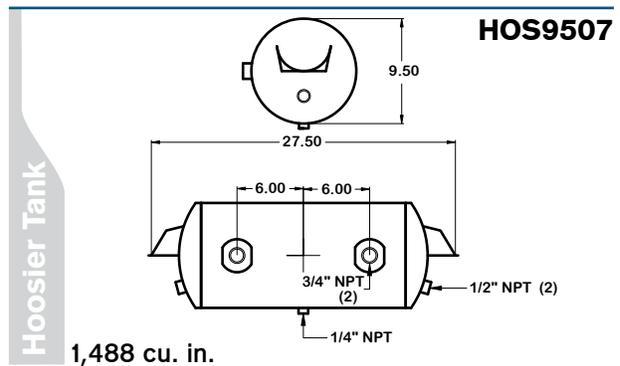
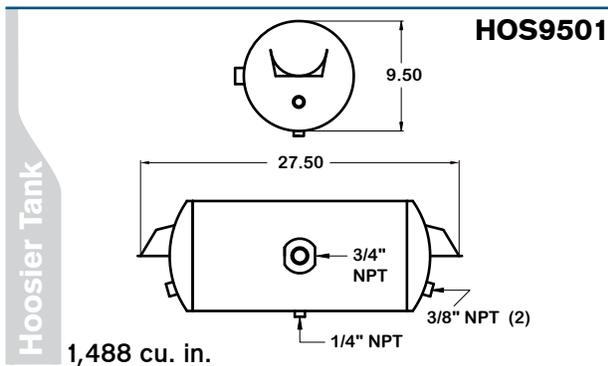
Air Tanks

Air Tanks

HT-9500: Sub-Series 1 Bottom Mount



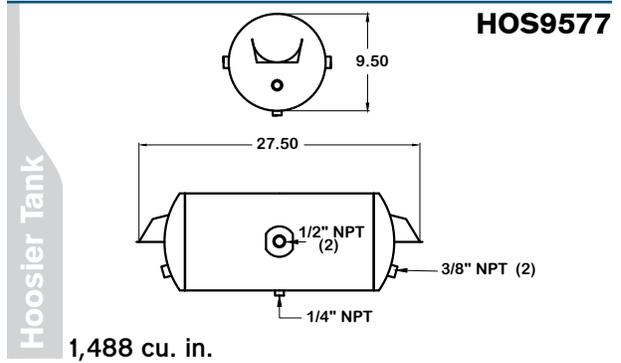
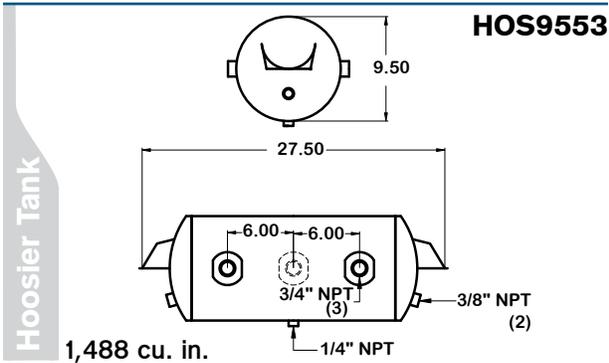
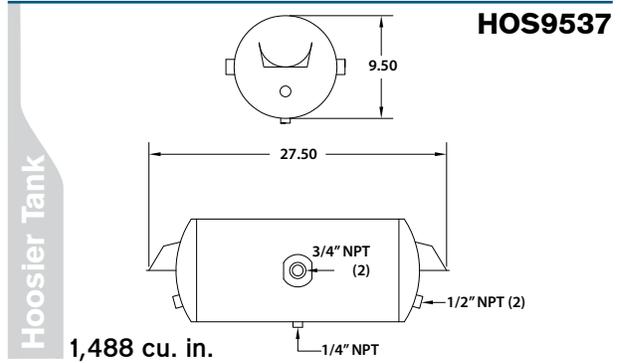
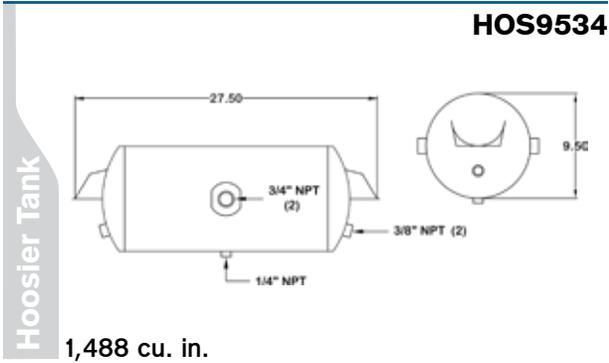
HT-9500: Sub-Series 2 Top Mount



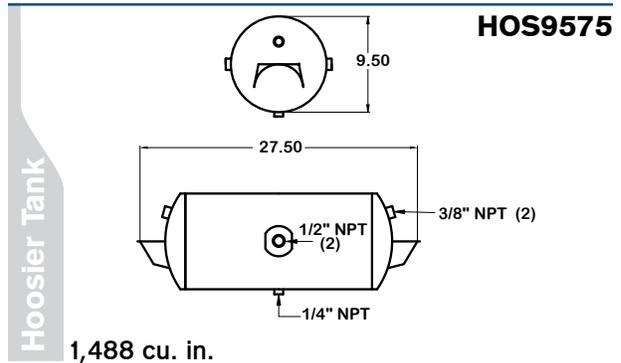
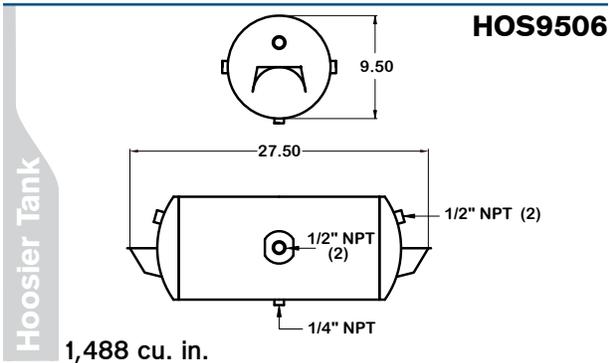
Air Tanks

Air Tanks

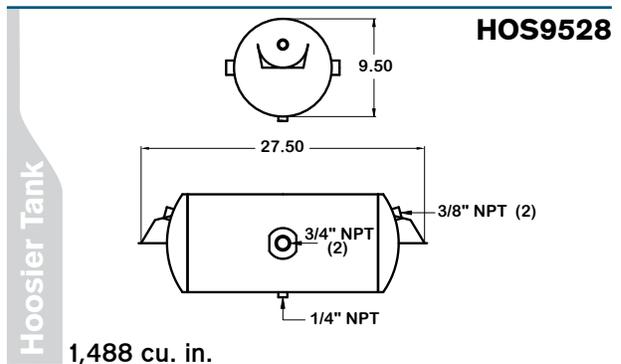
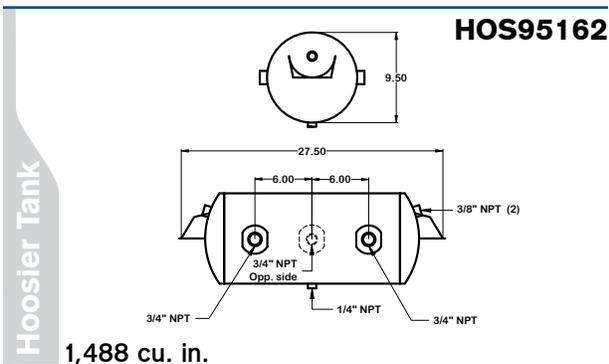
HT-9500: Sub-Series 2 Top Mount



HT-9500: Sub-Series 3 Bottom Mount



HT-9500: Sub-Series 4 Top Mount

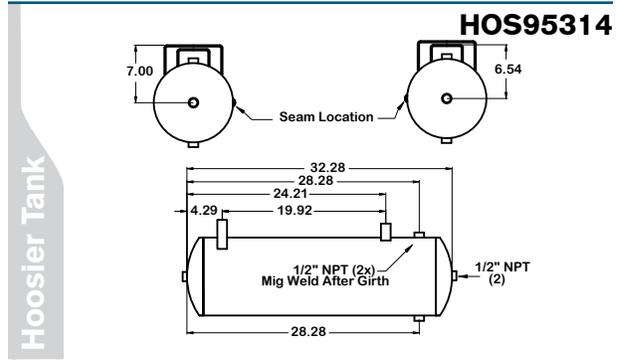
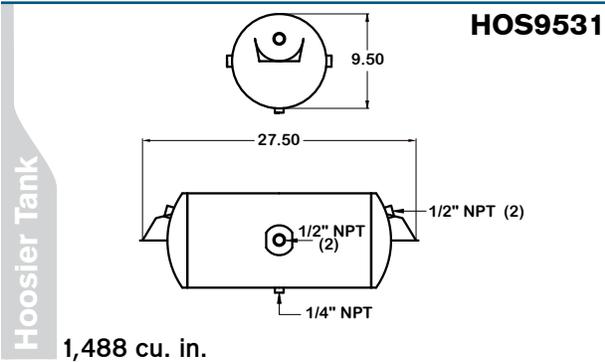


Air Systems

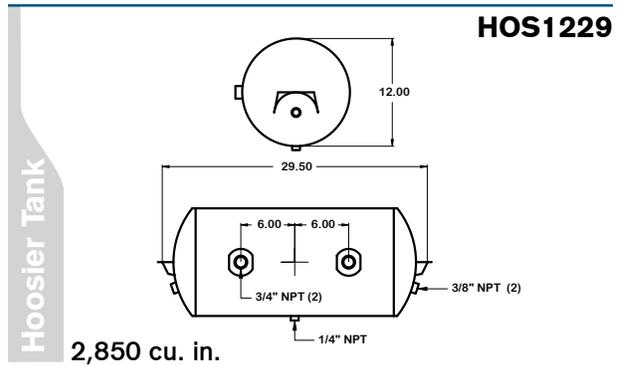
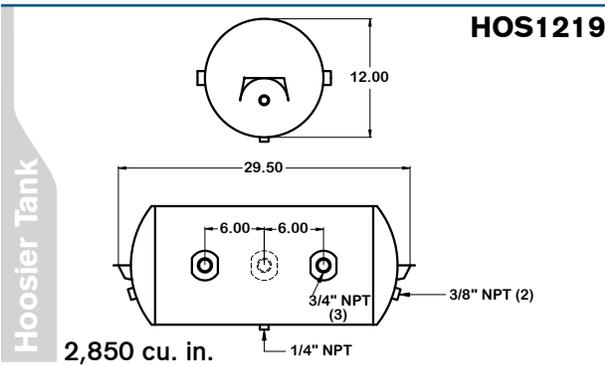
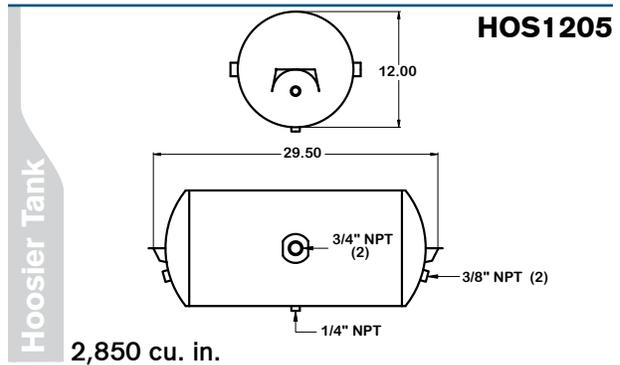
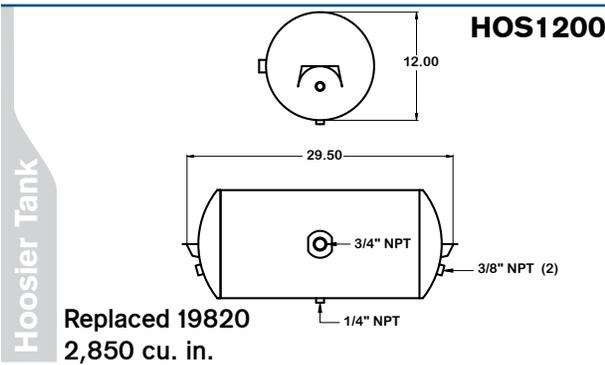
Air Tanks

Air Tanks

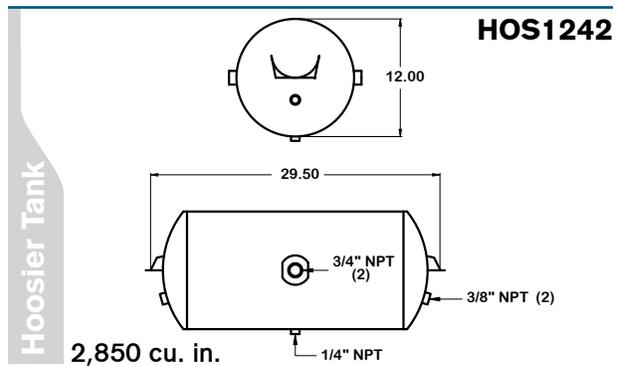
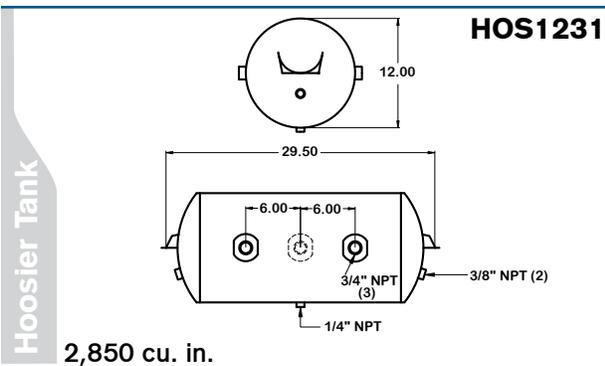
HT-9500: Sub-Series 4 Top Mount



HT-1200: Sub-Series 1 Bottom Mount



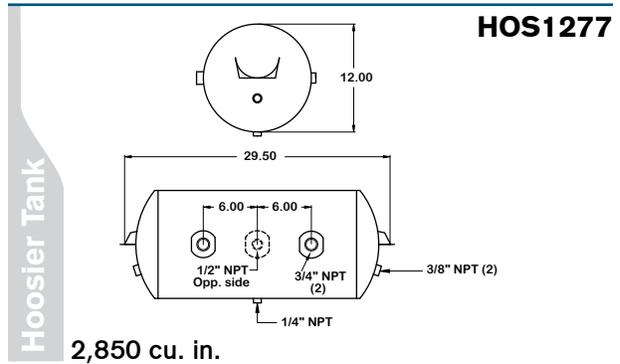
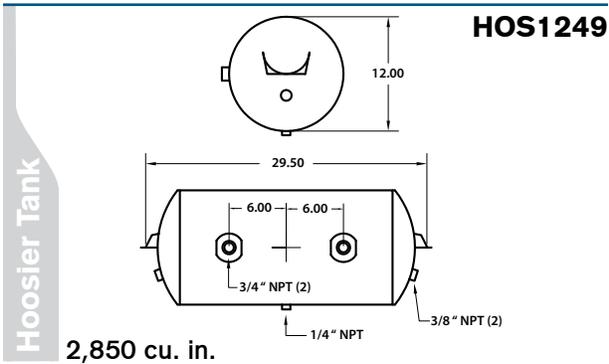
HT-1200: Sub-Series 2 Top Mount



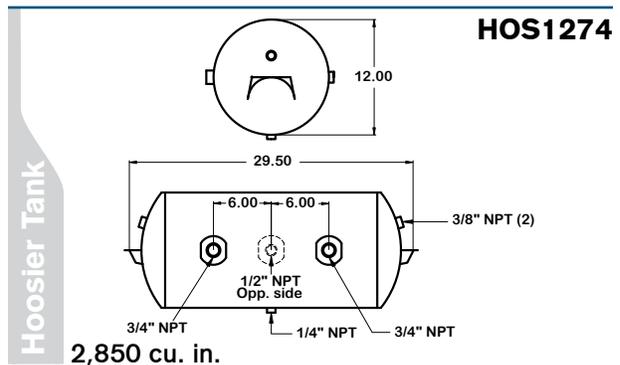
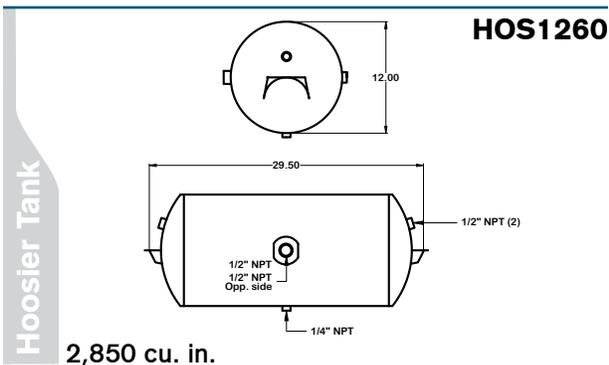
Air Tanks

Air Tanks

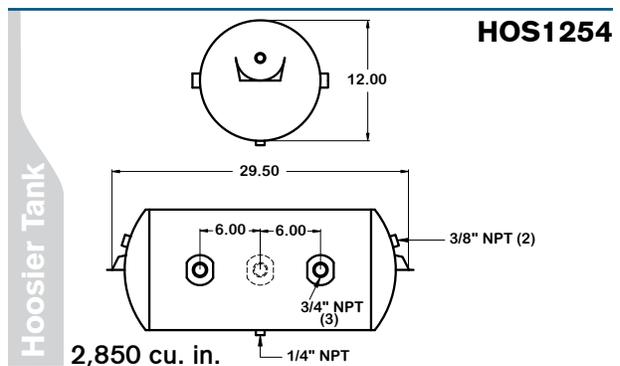
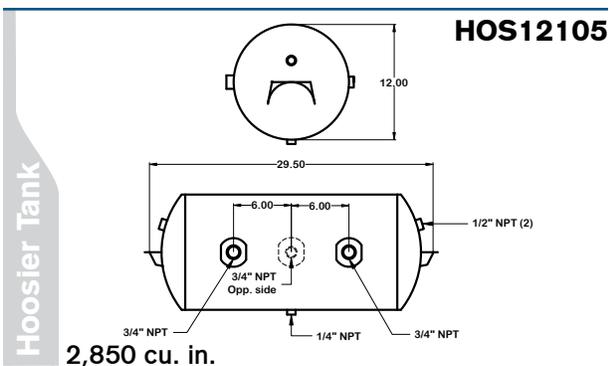
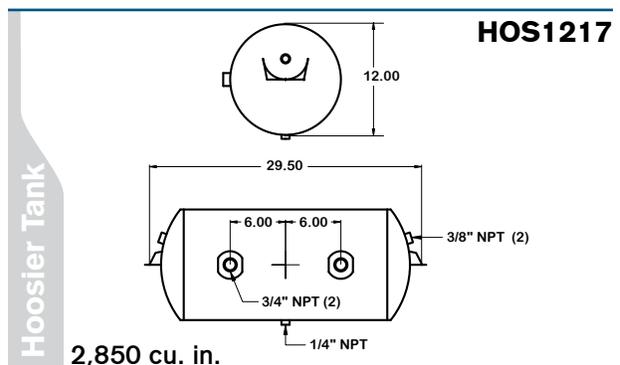
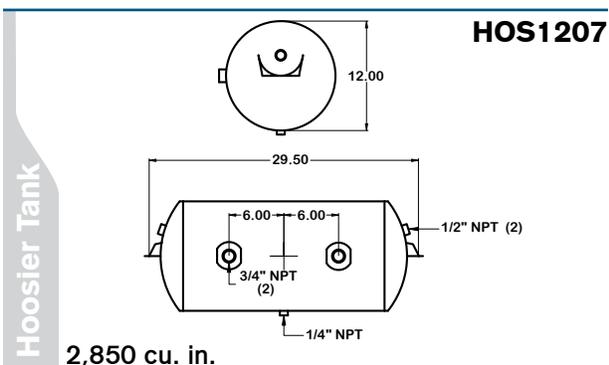
HT-1200: Sub-Series 2 Top Mount



HT-1200: Sub-Series 3 Bottom Mount



HT-1200: Sub-Series 4 Top Mount



Air Tank Accessories

Drain Valve

Length	Part Number
4 ft.	MID12104
5 ft.	MID12105



Haldex
Loop End
High Profile

1/4" Fitting

Drain Valve PROVA-5300



Pro-Par

Heavy Duty Drain Valve

Pipe Thread	Length	Part Number
1/4 in.	5 ft.	PHI12-820
3/8 in.	5 ft.	PHI12-822



Phillips

Drain Valve

Type	Length	Part Number
Kit	5 ft.	TRA35013
	4 ft.	TRA35002-048



Tramec

(TRA35013) (TRA35002-048)

Kit Includes: 1/4 in. fitting, open end, low profile

Male Standard Drain Cock

Part Number	Tube Size
PROBF13-1	1/2 in.
PROBF13-2	1/8 in.
PROBF13-3	1/4 in.
PROBF13-4	3/8 in.
PROBF13-5	1/4 in.



Pro-Par

Male Pipe Drain Cock

Part Number	Tube Size
PROBF13-15	1/8 in.
PROBF13-16	1/4 in.
PROBF13-17	3/8 in.
PROBF13-18	1/2 in.



Pro-Par



Air Tank Accessories

Fruehauf



Drain Cock
FRU534434

Kwik-loc



Tank Mounting Washer
KWI658328

Inner Diameter: 3/8 in. Thickness: 1/4 in.
Outer Diameter: 1-1/4 in. Material: Rubber

Fruehauf



Tank Mounting Pad
FRUAXA0180

Material: Rubber
Thickness: 1/4 in.

Hoosier Tank



Tank Mounting Pad
HOS1068

2 in. x 4 in. Material: Rubber
2 Holes

Tech Tip

Pro-Par Air Dryer Components

Air Dryer	PROAD-065225	PROAD-IP-065612	PROAD-IS-801266	PROAD-R955205	PROAD-R955300
Cartridge	PROAD-107794	PROAD-065624-AD-IP	PROAD-5008414PG	PROAD-950068	PROAD-950068
	PROAD-107796PG			PROAD-950011	PROAD-950011
Header Kit	PROAD-109578	PROAD-109495	PROAD-109495	PROAD-R950015	PROAD-R950015
Check Valve	PROAD-107800	PROAD-030P0005	PROAD-5004049	PROAD-R950017	PROAD-R950017
Purge Valve	PROAD-5004479	PROAD-K022105	PROAD-K022105		
	PROAD-5005037	PROAD-800404	PROAD-800404		
	PROAD-5005037K				
Valve Relief	PROAD-800350				
Rebuild Kit				PROAD-RL3511ER-9	PROAD-RL3511ER-9
Bracket	PROAD-107695				
Harness	PROAD-109869	PROAD-109869	PROAD-109869	PROAD-109869	PROAD-109869
Cutoff Valve				PROAD-R950013	PROAD-R950013

Air Systems

AIR

Air Treatment Systems

Air Treatment Systems

Air Dryers

AD9
PROAD-065225

Pro-Par

AP-IP
PROAD-IP-065612

Pro-Par

AD-IS
PROAD-IS-801266

Pro-Par

12 Volt
Cut-Off Pressure: 900±20 kPa

1200 Series
PROAD-R955205

Pro-Par

11-1/4 in. tall

Air Dryers

PROAD-R955300

Pro-Par

12 Volt
Safety Valve Open Pressure: 1100±70 kPa

Cartridges

MTRR950068A

Meritor

Type: Oil Coalescing

Cartridges

AD-IP
PROAD-065624-AD-IP

Pro-Par

Type: Standard

AD-4

Type	
Standard	PROAD-104358
Oil Coalescing	PROAD-104358PG

Pro-Par

Air Treatment Systems

Air Treatment Systems

Cartridges

AD-9

Type
Standard **PROAD-107794**
Oil Coalescing **PROAD-107796PG**

Pro-Par



AD-SP & System Saver
PROAD-950011

Pro-Par



Type: Standard

PROAD-50085414PG

Pro-Par



Type: Oil Coalescing

System Saver
PROAD-950068

Pro-Par



Type: Oil Coalescing

Heater Kits

SS1200

PROAD-R950015

Pro-Par



12 Volt

AP-IP / AD-IS

PROAD-109495

Pro-Par



12 Volt

AD-9

PROAD-109578

Pro-Par



12 Volt

Air Systems

AIR

Air Treatment Systems

Air Treatment Systems

Valves

Air Dryer Purge Valve
BENK022105

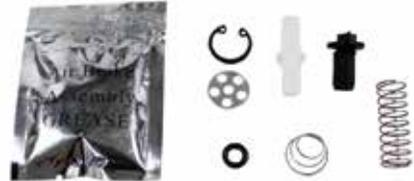
Bendix



Applications:
AD-IS Dryer or AD-IP Dryer

AD-IP Delivery Check
PROAD-030P005

Pro-Par



AD-9 Check Valve Kit
PROAD-107800

Pro-Par



AD-IS Governor & Check
PROAD-500409

Pro-Par



AD-9

AD-9

Type
Soft Seat Purge **PROAD-5004341**
Soft Hard Purge **PROAD-5004479**

PROAD-5005037
PROAD-5005037K

Pro-Par



Pro-Par



Type: Hard Seat Purge

AD-9 Pressure Relief Valve
PROAD-800350

AD-IP / AD-IS Service Purge Valve
PROAD-800404

Pro-Par



Pro-Par



Air Treatment Systems

Valves

AD-IP / AD-IS Purge Valve
PROAD-K022105



Pro-Par

SS1200 Turbo Cut-Off Valve
PROAD-R950013



Pro-Par

SS1200 Check Valve
PROAD-R950017



Pro-Par

SS1200 Purge / Regen Rebuild Kit
PROAD-RL3511ER-9



Pro-Par

AD-9 Bracket
PROAD-107695



Pro-Par

Accessories
AD9 Wiring Harness
PROAD-109869



Pro-Par

12 Volt

AIR-DEFENSE™ System

- PHI12-815
- PHI12-035

- Description System
- Replacement Filter



(PHI12-815)



(PHI12-035)

Phillips

Air Treatment Systems

PHILLIPS

pro-par

Air Brake Fitting for Copper Tubing

Union

Tube Size	
3/8 in.	PROBF5-14



Pro-Par

Male Connector

Tube Size	Pipe Size	
3/8 in.	3/8 in.	PROBF5-43



Pro-Par

Air Brake Hose Ends

Male Connectors with Spring Guard

	Hose Size	Pipe Thread
MID11900	3/8 in.	1/4 in.
MID11901	3/8 in.	3/8 in.
MID11902	3/8 in.	1/2 in.



Haldex

Hose Union

Thread	Hose Size	
3/8 in.	3/8 in.	MID11904
1/2 in.	3/8 in.	MID11905



Haldex

Hose Size	
3/8 in.	MID11913



Haldex

Union

Hose Size	Pipe Size	
1/2 in.	3/4 in. - 20	PROBF4-1
3/8 in.	3/4 in. - 20	PROBF4-3



Pro-Par

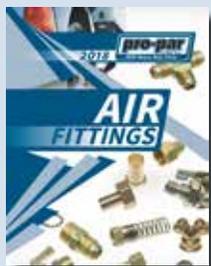
Female Swivel Connector

Hose Size	Straight Thread	
3/8 in.	3/4 in. - 20	PROBF4-6
1/2 in.	7/8 in. - 20	PROBF4-10



Pro-Par

Air Brake Hose Ends



For a complete list of available Pro-Par air fittings, see the Pro-Par Air Fittings Catalog part number PROBFCATALOG.

Female Swivel with Adapter

Hose & Pipe Size	Straight Thread	Part Number
3/8 in.	3/4 in. - 20	PROBF4-8

Pro-Par



Fittings

Male Connector

Part Number	Hose Size	Pipe Size
PROBF4-13	1/2 in.	1/2 in.
PROBF4-15	1/2 in.	3/8 in.
PROBF4-17	3/8 in.	1/2 in.
PROBF4-19	3/8 in.	1/4 in.
PROBF4-21	3/8 in.	3/8 in.



Pro-Par

Male Connector with Spring Guard

Part Number	Hose Size	Pipe Size
PROBF4-14	1/2 in.	1/2 in.
PROBF4-16	1/2 in.	3/8 in.
PROBF4-18	3/8 in.	1/2 in.
PROBF4-20	3/8 in.	1/4 in.
PROBF4-22	3/8 in.	3/8 in.



Pro-Par

Hose Nut

Hose Size	Part Number
3/8 in.	PROBF4-25

Pro-Par



Sleeve

Hose Size	Part Number
3/8 in.	PROBF4-30
1/2 in.	PROBF4-31

Pro-Par



Adapter

Part Number	Hose Size	Pipe Size	Straight Thread
PROBF4-38	3/8 in.	1/4 in.	3/4 in. - 20
PROBF4-39	3/8 in.	3/8 in.	3/4 in. - 20
PROBF4-40	3/8 in.	1/2 in.	3/4 in. - 20



Pro-Par

Air Brake Hose Ends

End Fittings - for 3/8 in. Hose Only

	Size	Type
TRA31302	3/8 in.	Individual
TRA31402	3/8 in.	Kit of 2
TRA31305	1/2 in.	Individual
TRA31403	1/2 in.	Kit of 2



Tramec

Brass Pipe Fittings

Pipe Cap

Part Number	Pipe Size
PROBF3-5	3/4 in.
PROBF3-6	1/8 in.
PROBF3-7	1/4 in.
PROBF3-8	3/8 in.
PROBF3-9	1/2 in.



Pro-Par

Square Head Pipe Plug

Part Number	Pipe Size
PROBF3-13	3/4 in.
PROBF3-15	1/8 in.
PROBF3-16	1/4 in.
PROBF3-17	3/8 in.
PROBF3-18	1/2 in.



Pro-Par

Hex Head Pipe Plug

Part Number	Pipe Size
PROBF3-19	3/4 in.
PROBF3-20	1/8 in.
PROBF3-21	1/4 in.
PROBF3-22	3/8 in.
PROBF3-23	1/2 in.



Pro-Par

Hex Countersink Pipe Plug

Part Number	Pipe Size
PROBF3-24	1/8 in.
PROBF3-25	1/4 in.
PROBF3-26	3/8 in.
PROBF3-27	1/2 in.



Pro-Par

Brass Pipe Fittings

Pipe Adapter

Part Number	Female Pipe Size	Male Pipe Size
PROBF3-33	1/4 in.	1/8 in.
PROBF3-34	3/8 in.	3/8 in.
PROBF3-36	3/8 in.	1/4 in.
PROBF3-37	1/2 in.	1/2 in.
PROBF3-39	1/2 in.	3/8 in.



Pro-Par

Pipe - Reducer Bushing

Part Number	Pipe Size	Pipe Size
PROBF3-41	3/4 in.	1/4 in.
PROBF3-42	3/4 in.	3/8 in.
PROBF3-43	3/4 in.	1/2 in.
PROBF3-45	1/4 in.	1/8 in.
PROBF3-46	3/8 in.	1/8 in.
PROBF3-47	3/8 in.	1/4 in.
PROBF3-48	1/2 in.	1/8 in.
PROBF3-49	1/2 in.	1/4 in.
PROBF3-50	1/2 in.	3/8 in.



Pro-Par

Female Pipe Coupling

Part Number	Pipe Size	Pipe Size
PROBF3-57	3/4 in.	1/2 in.
PROBF3-58	1/8 in.	1/8 in.
PROBF3-59	1/4 in.	1/4 in.
PROBF3-61	3/8 in.	3/8 in.
PROBF3-63	3/8 in.	1/4 in.
PROBF3-64	1/2 in.	1/2 in.
PROBF3-66	1/2 in.	1/4 in.
PROBF3-67	1/2 in.	3/8 in.



Pro-Par

Hex Nipple

Part Number	Pipe Size	Pipe Size
PROBF3-68	3/4 in.	3/4 in.
PROBF3-69	1/2 in.	3/4 in.
PROBF3-75	1/8 in.	1/8 in.
PROBF3-76	1/4 in.	1/4 in.
PROBF3-78	3/8 in.	3/8 in.
PROBF3-80	3/8 in.	1/4 in.
PROBF3-82	1/2 in.	1/2 in.
PROBF3-84	1/2 in.	3/8 in.



Material: Brass

Pro-Par

Brass Pipe Fittings

Hex Nipple

Part Number	Pipe Size	Pipe Size	V-Seal
PROBF3-70	1/2 in.	3/4 in.	No
PROBF3-71	1/2 in.	3/4 in.	Yes
PROBF3-73	3/4 in.	3/4 in.	Yes
PROBF3-86	1/2 in.	1/2 in.	No



Pro-Par

Material: Steel

Close Pipe Nipple

Part Number	Pipe Size
PROBF3-88	3/4 in.
PROBF3-89	1/8 in.
PROBF3-90	1/4 in.
PROBF3-91	3/8 in.
PROBF3-92	1/2 in.



Pro-Par

Long Nipple Yellow Brass

Part Number	Pipe Size	Length
PROBF3-94	1/4 in.	1-1/2 in.
PROBF3-96	1/2 in.	1-1/2 in.
PROBF3-103	3/8 in.	2 in.
PROBF3-122	1/2 in.	3 in.



Pro-Par

45° Street Elbow

Part Number	Pipe Size
PROBF3-168	3/4 in.
PROBF3-169	1/8 in.
PROBF3-170	1/4 in.
PROBF3-171	3/8 in.
PROBF3-172	1/2 in.



Pro-Par

90° Street Elbow

Part Number	Pipe Size	Pipe Size
PROBF3-179	1/8 in.	1/8 in.
PROBF3-180	1/4 in.	1/4 in.
PROBF3-182	3/8 in.	3/8 in.
PROBF3-183	1/2 in.	1/2 in.
PROBF3-184	1/2 in.	3/8 in.



Pro-Par



Brass Pipe Fittings

90° Male Elbow

Part Number	Pipe Size
PROBF3-185	1/8 in.
PROBF3-186	1/4 in.
PROBF3-187	3/8 in.
PROBF3-188	1/2 in.



Pro-Par

90° Female Elbow

Part Number	Pipe Size
PROBF3-190	1/8 in.
PROBF3-191	1/4 in.
PROBF3-192	3/8 in.
PROBF3-193	1/2 in.



Pro-Par

Male Branch Tee

Part Number	Pipe Size
PROBF3-194	3/4 in.
PROBF3-195	1/8 in.
PROBF3-196	1/4 in.
PROBF3-197	3/8 in.
PROBF3-198	1/2 in.



Pro-Par

Female Tee

Part Number	Pipe Size
PROBF3-201	1/4 in.
PROBF3-202	3/8 in.
PROBF3-203	1/2 in.



Pro-Par

Street Tee

Part Number	Pipe Size	Pipe Size
PROBF3-205	1/4 in.	1/4 in.
PROBF3-206	3/8 in.	3/8 in.
PROBF3-208	1/2 in.	1/2 in.



Pro-Par

Hex Nipple

Additional	Thread Size	
Wrench Pad	1/2 in. x 3/4 in.	SEA616



Sealco

Nipple

Additional	Thread Size	
-	1/2 in. x 1/2 in.	SEA6002
-	1/2 in. x 3/4 in.	SEA6003
Wrench Pad	3/4 in. x 3/4 in.	SEA6006



Sealco

Air Systems

AIR

Fittings

Bulkhead Fittings

Furehauf

Size	
3/8 in.	FRUACE6251-1
1/2 in.	FRUACE6251-2



Fruehauf

Tubing Type	Size	
Copper	3/8 in.	FRUACC3600-1
Nylon	3/8 in.	FRUACC3600-2
Nylon	1/2 in.	FRUACE6225-1



Economy

Size	
1/2 in. x 1/4 in.	IMXGT-5251
1/2 in. x 3/8 in.	IMXGT-5253



Economy

Size	
3/8 in.	IMXGT-5254
1/4 in.	IMXGT-5255



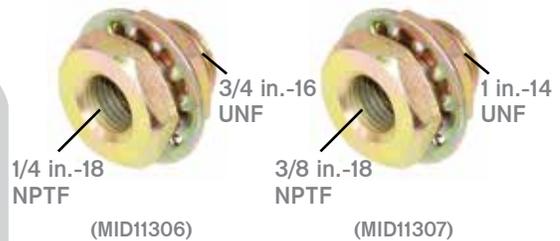
Haldex

Size	Length	
1/2 in. x 3/8 in.	1-5/8 in.	MID11304



Haldex

Size	Length	
3/4 in. x 1/4 in.	1-3/8"	MID11306
1.00 in. x 3/8 in.	1-3/8"	MID11307



Pro-Par

Diameter	Thread	Length	
1-1/8 in.	7/8 in. - 20	0.28 in.	PROBF1-2



Pro-Par

Type	
Steel Nut	PROBF1-6
Steel Body	PROBF1-8



Outer:	1/2 in. - 14	Body:	1 in. - 14
Inside:	1/4 in. - 18	Length:	2-7/8 in.

Fittings

Bulkhead Fittings

Fittings

Type	Outer	Body	Inside	Part Number
Steel Nut	3/8 in. - 18	1 in. - 14	1 in. - 14	PROBF1-9
Steel Body	1-5/16 in.			PROBF1-11



Pro-Par

Outer	Body	Inside	Part Number
1/2 in.	7/8 in. - 20	3/8 in. - 18	PROBF1-12



Pro-Par
Length: 1-15/16 in.

Outer	Body	Inside	Part Number
3/8 in.	7/8 in. - 20	3/8 in. - 18	PROBF1-13



Pro-Par
Length: 1-3/4 in.

Outer	Body	Inside	Part Number
1/2 in. - 14	3/4 in. - 16	1/4 in. - 18	PROBF1-17



Pro-Par
Length: 1-11/16 in.

Outer	Body	Inside	Part Number
3/8 in. - 18	1 in. - 14	1/2 in. - 14	PROBF1-18



Pro-Par
Length: 1-7/8 in.

Outer	Body	Length	Part Number
3/8 in. - 18	7/8 in. - 20	2-3/8 in.	PROBF1-21



Pro-Par

Type	Outer	Body	Length	Part Number
Brass Nut	1/2 in. - 14	1 in. - 14	1-11/16 in.	PROBF1-22
Steel Nut	3/8 in. - 18			PROBF1-23



Pro-Par

Type	Outer	Body	Length	Part Number
Steel Nut	1/2 in. - 14	1 in. - 14	1-29/32 in.	PROBF1-26
Steel Body	3/8 in. - 18			PROBF1-28



Pro-Par

Bulkhead Fittings

Type	Part Number
Steel Nut	PROBF1-29
Steel Body	PROBF1-31



Pro-Par

Outer: 1/4 in. - 18 Body: 3/4 in. - 16
 Length: 1-1/2 in.

Outer	Body	Inside	Part Number
1/2 in. - 14	3/4 in. - 16	1/4 in. - 18	PROBF1-33



Pro-Par

Length: 2-5/32 in.

Outer	Body	Length	Part Number
1/2 in. - 14	1-1/8 in. - 14	1-1/2 in.	PROBF1-34



Pro-Par

Size	Part Number
1/2 in. x 1/4 in.	TRA50027



Tramec

Nylon Tube Fittings

Sleeve

Part Number	Tube Size
PROBF2-1	5/8 in.
PROBF2-2	3/4 in.
PROBF2-3	1/4 in.
PROBF2-4	3/8 in.
PROBF2-5	1/2 in.

Pro-Par



Nut

Part Number	Tube Size
PROBF2-6	5/8 in.
PROBF2-7	3/4 in.
PROBF2-8	1/4 in.
PROBF2-9	3/8 in.
PROBF2-10	1/2 in.

Pro-Par



Nylon Tube Fittings

Fittings

Union

Part Number	Tube Size
PROBF2-11	5/8 in.
PROBF2-12	3/4 in.
PROBF2-13	1/4 in.
PROBF2-14	3/8 in.
PROBF2-15	1/2 in.



Pro-Par

Union Tee

Part Number	Tube Size
PROBF2-17	1/4 in. x 1/4 in. x 1/4 in.
PROBF2-19	3/8 in. x 3/8 in. x 3/8 in.
PROBF2-21	1/2 in. x 1/2 in. x 1/2 in.



Pro-Par

Union Elbow

Part Number	Tube Size
PROBF2-23	5/8 in.
PROBF2-24	1/4 in.
PROBF2-25	3/8 in.
PROBF2-26	1/2 in.



Pro-Par

Female Connector

Part Number	Tube Size	Pipe Size
PROBF2-27	5/8 in.	1/2 in.
PROBF2-30	1/4 in.	1/4 in.
PROBF2-31	3/8 in.	1/4 in.



Pro-Par

Male Connector

Part Number	Tube Size	Pipe Size
PROBF2-36	5/8 in.	1/2 in.
PROBF2-37	5/8 in.	3/4 in.
PROBF2-39	5/8 in.	3/8 in.
PROBF2-46	1/4 in.	1/8 in.
PROBF2-47	1/4 in.	1/4 in.
PROBF2-49	1/4 in.	3/8 in.
PROBF2-52	3/8 in.	1/4 in.
PROBF2-53	3/8 in.	1/8 in.
PROBF2-55	3/8 in.	3/8 in.
PROBF2-57	3/8 in.	1/2 in.
PROBF2-60	1/2 in.	3/8 in.
PROBF2-61	1/2 in.	1/4 in.
PROBF2-63	1/2 in.	1/2 in.



Pro-Par

Nylon Tube Fittings

Male Elbow

Part Number	Tube Size	Pipe Size
PROBF2-66	5/8 in.	1/2 in.
PROBF2-69	5/8 in.	3/8 in.
PROBF2-76	1/4 in.	1/8 in.
PROBF2-77	1/4 in.	1/4 in.
PROBF2-79	1/4 in.	3/8 in.
PROBF2-82	3/8 in.	1/4 in.
PROBF2-83	3/8 in.	1/8 in.
PROBF2-85	3/8 in.	3/8 in.
PROBF2-87	3/8 in.	1/2 in.
PROBF2-89*	3/8 in.	1/4 in.
PROBF2-91	1/2 in.	3/8 in.
PROBF2-92	1/2 in.	1/4 in.
PROBF2-94	1/2 in.	1/2 in.



Pro-Par

*Part uses longer body than standard part.

Male Run Tee

Part Number	Tube Size	Pipe Size
PROBF2-112	3/8 in.	1/4 in.
PROBF2-113	3/8 in.	3/8 in.
PROBF2-116	1/2 in.	3/8 in.



Pro-Par

Male Branch Tee

Part Number	Tube Size	Pipe Size
PROBF2-126	1/4 in.	1/8 in.
PROBF2-127	1/4 in.	1/4 in.
PROBF2-131	3/8 in.	1/4 in.
PROBF2-134	3/8 in.	3/8 in.
PROBF2-137	1/2 in.	3/8 in.



Pro-Par

45° Elbow

Part Number	Tube Size	Pipe Size
PROBF2-146	5/8 in.	1/2 in.
PROBF2-147	5/8 in.	3/8 in.
PROBF2-152	1/4 in.	1/8 in.
PROBF2-153	1/4 in.	1/4 in.
PROBF2-156	3/8 in.	1/4 in.
PROBF2-159	3/8 in.	3/8 in.
PROBF2-162	3/8 in.	1/2 in.
PROBF2-164	1/2 in.	3/8 in.
PROBF2-165	1/2 in.	1/4 in.
PROBF2-167	1/2 in.	1/2 in.



Pro-Par

Nylon Tube Fittings

Drop-In Insert

Part Number	Tube Size
PROBF2-174	1/4 in.
PROBF2-177	3/8 in.
PROBF2-179	1/2 in.



Material: Steel

Pro-Par

Push-In Insert

Tube Size	
3/8 in.	PROBF2-178
1/2 in.	PROBF2-180



Pro-Par

Material: Brass

Push to Connect - Straight Union

Size	
1/4 in. x 1/4 in.	SMCKV2H07-00
1/4 in. x 3/8 in.	SMCKV2H07-11



(SMCKV2H07-00)



(SMCKV2H07-11)

SMC

Push to Connect - Tee Union

Size	
3/8 in. x 3/8 in. x 3/8 in.	SMCKV2T11-00



SMC

Push to Connect - 90° Male Elbow

Tube Size	Thread	
1/2 in.	3/8 in. - 18	SMCKV2L13-36S



SMC

Straight Union

Outer Diameter	
3/8 in.	SMCKV2H11-00



SMC

Push to Connect - Tee Branch

Size	
1/4 in. x 3/8 in. x 3/8 in.	SMCKV2T11-35S



SMC

Push-In Fitting, D.O.T.

Nylon Plug

Tube Outer Diameter	Part Number
1/4 in.	PROBF6-3
3/8 in.	PROBF6-4



Pro-Par

90° Union Elbow

Tube Outer Diameter	Part Number
1/4 in.	PROBF6-17
3/8 in.	PROBF6-18



Pro-Par

Tubing Union

Part Number	Tube Outer Diameter
PROBF6-6	5/8 in.
PROBF6-7	5/32 in.
PROBF6-9	1/4 in.
PROBF6-10	3/8 in.
PROBF6-11	1/2 in.



Pro-Par

Union Tee

Part Number	Tube Outer Diameter
PROBF6-13	1/4 in.
PROBF6-14	3/8 in. x 3/8 in. x 1/4 in.
PROBF6-15	3/8 in.
PROBF6-16	1/2 in.



Pro-Par

Male Connector

Part Number	Tube Outer Diameter	Pipe Thread
PROBF6-27	5/8 in.	1/2 in.
PROBF6-32	1/4 in.	1/4 in.
PROBF6-33	1/4 in.	3/8 in.
PROBF6-34	1/4 in.	1/8 in.
PROBF6-35	3/8 in.	1/8 in.
PROBF6-36	3/8 in.	3/8 in.
PROBF6-37	3/8 in.	1/2 in.
PROBF6-38	3/8 in.	1/4 in.
PROBF6-39	1/2 in.	1/4 in.
PROBF6-40	1/2 in.	1/2 in.
PROBF6-41	1/2 in.	3/8 in.



Pro-Par

Push-In Fitting, D.O.T.

90° Male Elbow

Part Number	Tube Outer Diameter	Pipe Thread	Swivel
PROBF6-52	1/4 in.	1/4 in.	No
PROBF6-53	1/4 in.	1/4 in.	Yes
PROBF6-56	1/4 in.	1/8 in.	No
PROBF6-59	3/8 in.	1/8 in.	Yes
PROBF6-60	3/8 in.	3/8 in.	No
PROBF6-61	3/8 in.	3/8 in.	Yes
PROBF6-63	3/8 in.	1/2 in.	Yes
PROBF6-64	3/8 in.	1/4 in.	No
PROBF6-65	3/8 in.	1/4 in.	Yes
PROBF6-69	1/2 in.	1/2 in.	Yes
PROBF6-71	1/2 in.	3/8 in.	Yes



Pro-Par

Male Run Tee

Tube Outer Diameter	Pipe Thread	Part Number
3/8 in.	1/4 in.	PROBF6-85

Pro-Par



Male Branch Tee

Tube Outer Diameter	Pipe Thread	Part Number
1/4 in.	1/8 in.	PROBF6-92

Pro-Par



Swivel: Yes

45° Male Elbow

Part Number	Tube Outer Diameter	Pipe Thread	Swivel
PROBF6-118	3/8 in.	3/8 in.	No
PROBF6-121	3/8 in.	1/4 in.	No
PROBF6-122	3/8 in.	1/4 in.	Yes



Pro-Par

More Information

Pro-Par Air Fittings Catalog



For a complete list of available Pro-Par air fittings, see the Pro-Par Air Fittings Catalog part number PROBFCATALOG.

Air Systems

AIR

Fittings

Additional Fittings

Sleeve

Size
3/8 in. **FIT20-2**



Insert

Size
3/8 in. **FITFSP012-31001**



Quick-Fix®

Size
3/8 in. x 3/8 in. **HEB431402-12**



Quick-Fix®

Size
1/2 in. x 3/8 in. **HEB431408**



Flare x Male Pipe Connector

Tube Outer Diameter Pipe Size
5/8 in. 1/2 in. **PROBF8-183**



Union - Tube Both Ends

Tube Size Tube Size
3/8 in. 3/8 in. **PROBF11-17**



Male Hose End, Single Bead

Hose Inner Diameter Pipe Size
3/4 in. 1/2 in. **PROBF12-92**



TRAMEC
SLOAN

pro-par
100% SATISFACTION GUARANTEE

Angle Mount Gladhands

Gladhands

PHILIPS

TECTRAN

TRAMEC SLOAN

Haldex

37° Mounting

Economy	Configuration	
	Service	IMXGT-5317
	Emergency	IMXGT-5327

(IMXGT-5317) (IMXGT-5327)

3/8 in. - 18 NPTF ports with pipe plug

37-1/2° Mounting

Fruehauf	Configuration	
	Service	FRUACF6729-1
	Emergency	FRUACF6729-2

(FRUACF6729-1) (FRUACF6729-2)

3/8 in. - 18 NPTF ports/ A port plugged

38° Mounting

Phillips	Type	Mounting	Configuration	
	-	38°	Service	PHI12-136
	-	38°	Emergency	PHI12-138
	QWIK-E®	38°	Service	PHI12-236

(PHI12-136/ PHI12-236) (PHI12-138)

3/8 in. - 18 Bottom Port

38° Mounting

Tectran	Configuration	
	Service	TEC9217S-A
	Emergency	TEC9216E-A

(TEC9217S-A) (TEC9216E-A)

Anodized

38° Mounting

TRA36161	Configuration	Includes
	Service	Pipe Plug
	Emergency	Pipe Plug
	Service	Pipe Plug + Filter
TRAF36161	Service	Pipe Plug + Filter
	Emergency	Pipe Plug + Filter



3/8 in. ports

Tramec

4 in. Mounting Bracket

MID11440	Configuration	Port Size
	Service	3/8 in.
MID11441	Emergency	3/8 in.
	Service	1/2 in.
MID11444	Service	1/2 in.
	Emergency	1/2 in.



Includes: Pipe Plug

Haldex

Air Systems

AIR

Gladhands

Aluminum Gladhands

Seal	Port	Configuration	
Rubber	1/2 in.	Universal	IMXGT-5330A
Rubber	1/2 in.	Emergency	IMXGT-5331A
Rubber	1/2 in.	Service	IMXGT-5332A

Economy



(IMXGT-5331A)



(IMXGT-5332A)

Body: Aluminum

Clasp: Steel

Port Size	Configuration	
1/2 in.	Service	TRA36101
1/2 in.	Emergency	TRA36201

Tramec



(TRA36101)



(TRA36201)

Finish: Plated

Configuration	
Emergency	MID11451
Service	MID11452

Haldex



(MID11451)



(MID11452)

Seal Style: Full Face
Dust Cover: No

Body: Aluminum
Face: Steel

Configuration	
Universal	PROGH5330A
Emergency	PROGH5331A
Service	PROGH5332A

Pro-Par



(PROGH5331A)



(PROGH5332A)

Body: Aluminum

	Configuration	Port Size	Type
PHI12-006	Service	1/2 in.	Straight Mount
PHI12-008	Emergency	1/2 in.	Straight Mount
PHI12-010	Universal	1/2 in.	Universal Straight Mount
PHI12-206	Universal	1/2 in.	Straight Mount
PHI12-0066	Service		Stainless Steel Connector Plate
PHI12-0086	Emergency		Stainless Steel Connector Plate



(PHI12-006)



(PHI12-008)



(PHI12-010)



(PHI12-206)



(PHI12-0066)



(PHI12-0086)

Phillips

Body: Aluminum

More Information

Gladhand Color

Gladhands are color-coded for your convenience. Red for Emergency, Blue for Service, and Gold for Universal.

Iron Gladhands

Seal	Configuration	
Rubber	Universal	IMXGT-5335
Rubber	Service	IMXGT-5337

Economy




(IMXGT-5335) (IMXGT-5337)

Port Size	Configuration	
1/2 in.	Emergency	PROGH5336
1/2 in.	Service	PROGH5337

Pro-Par




(PROGH5336) (PROGH5337)

Shut Off Gladhands

	Configuration	Style	Includes
IMXGT-5338	Emergency	-	-
IMXGT-5339	Service	-	-
IMXGT-5338S	Emergency	Sloan	Gasket
IMXGT-5339S	Service	Sloan	Gasket



(IMXGT-5338)

(IMXGT-5339)

(IMXGT-5338S)

(IMXGT-5339S)

Economy

	Configuration	Fitting/Port	Seal	Includes
SLO441001	Service	Tube 3/8 in.	Rubber	Gasket, Fitting
SLO441003	Service	Tube 1/2 in.	Rubber	Gasket, Fitting
SLO441004	Service	-	Rubber	Gasket
SLO441008	Emergency	Tube 3/8 in.	Rubber	Gasket, Fitting
SLO441014	Emergency	-	Rubber	-



(SLO441001 / SLO441003)

(SLO441004)

(SLO441008)

Sloan

	Configuration	Tube / Pipe	Misc.
TRA36153	Service	3/8 in.	1 in. - 14 Mounting Stud w/ Tube Fitting
TRA36253	Emergency	3/8 in.	1 in. - 14 Mounting Stud w/ Tube Fitting
TRA36154	Service	1/2 in.	1 in. - 14 Mounting Stud w/ Tube Fitting
TRA36254	Emergency	1/2 in.	1 in. - 14 Mounting Stud w/ Tube Fitting



(TRA36153 / TRA36154)

(TRA36253 / TRA36254)

Tramec



Swivel Gladhands

45° Mount

Port Size	Configuration	
3/8 in. NPT	Service	PHI12-45061
3/8 in. NPT	Emergency	PHI12-45081

Phillips



(PHI12-45061)



(PHI12-45081)

45° Mount

Mounting	Configuration	
45°	Emergency	PROGH5336-45
45°	Service	PROGH5337-45

Pro-Par



(PROGH5336-45)



(PROGH5337-45)

	Configuration	Mounting	Material	Additional
PHI12-1366	Service	38°		Stainless Steel Plate
PHI12-4506	Service	45°		
PHI12-4508	Emergency	45°		
PHI12-4906	Service	90°	Iron	STA-LOCK™
PHI12-4908	Emergency	90°	Iron	STA-LOCK™
PHI12-64261-38	Service			
PHI12-64081-38	Emergency			



(PHI12-1366)



(PHI12-4506)



(PHI12-4508)



(PHI12-4906)



(PHI12-4908)



(PHI12-64261-38)



(PHI12-64081-38)

Phillips

	Configuration	Seal	Material	Additional	Includes
SLO441102	Service	Black Poly	Aluminum	Back Port Air Hookup	Gasket
SLO441103	Emergency	Black Poly	Aluminum	Back Port Air Hookup	Gasket
SLO441105	Emergency	Red Poly	Aluminum	Back Port Air Hookup	Gasket
SLO441154	Service	Blue Poly	Iron	Both Ports Open	Gasket
SLO441155	Emergency	Red Poly	Iron	Both Ports Open	Gasket



(SLO441102 / SLO441103)



(SLO441105)



(SLO441154 / SLO441155)

Sloan

DESIGNED TO PERFORM.

Trusted by OEMs to keep you on the road, Tramec Sloan designs and manufactures high-quality products right here in the U.S. Our equipment stands up to the threat of corrosion, extreme weather, and the everyday challenges of the road.



OVER 40 YEARS OF U.S. MANUFACTURING

At Tramec Sloan, we take pride in the company's dedication to **U.S. manufacturing**. We know that manufacturing here creates products of a higher quality while supporting our local communities.

Each year at our 3 manufacturing plants, we utilize more than **20 Million Feet of Rubber Hose** and over **9 Million Pounds of Brass** to create our hose assemblies and fittings.

TRAMECSLOAN.COM



1.800.336.7778

Air Systems

AIR

Gladhands

Swivel Gladhands

	Configuration	Mounting	Gladhand	Additional
TRA36131	Service		Iron	
TRA36231	Emergency		Iron	
TRA36181	Service	45°	Aluminum	Bottom Port
TRA36281	Emergency	45°	Aluminum	Bottom Port
TRA36191	Service	90°	Aluminum	Bottom Port
TRA36291	Emergency	90°	Aluminum	Bottom Port



(TRA36131)



(TRA36231)



(TRA36181 / TRA36281)



(TRA36291 / TRA36191)

Tramec

Dummy Gladhands

Length	Cable	Material	
-	Yes	Aluminum	MID11400

Haldex



Chain	Vent Hole	Material	
Yes	No	Zinc	MID11402

Haldex



Length	Cable	Material	
16 in.	Yes	Aluminum	PHI12-0100

Phillips



Length	Cable	Material	
15 in.	Yes	Aluminum	PROGH5345

Pro-Par



Length	Cable	Material	
-	Yes	Iron	TEC10101ZFX

Tectran



Hex Handle

Length	Cable	Material	
n/a	No	Aluminum	TRA36400

Tramec



Gladhands



Gladhand Seals

Polyurethane

	Color	Filter	Type
AIRGHS-2005R	Red	Yes	
AIRGHS-2005B	Blue	Yes	
IMXGT-2601	Red	No	Small Face
IMXGT-2602	Blue	No	Small Face
IMXGT-2603	Black	No	Small Face
IMXGT-2606	Red	No	Large Face
IMXGT-2607	Blue	No	Large Face
IMXGT-2608	Black	No	Large Face
MID10024	Black	-	Protect-O
MID10028	Black	-	Double Lip
PHI12-0163	Black	No	
PHI12-0167	Black	No	Dust Flap, 25 per bag
TRAGH5500	Blue	Yes	
TRAGH6600	Red	Yes	
TEC101117B	Blue	Yes	
TEC101117R	Red	Yes	
SLO441737	Red	No	
SLO441738	Blue	No	
SLO441739	Black	No	



Rubber

	Type	Cross Reference
IMXGT-2599	Single Lip	Tramec# 36003 / Tectran# 10112
IMXGT-2600	Double Lip	Tramec# 36001 / Tectran# 10111
IMXGT-2604	Protecto	Tectran# 10113
PHI12-012	Tapered Wide Lip	
TRA36001	Double Lip	



Gladhands



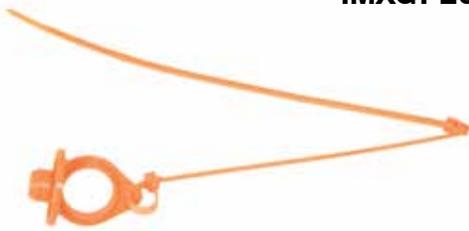
Air Systems

AIR

Gladhands

Gladhand Accessories

Economy



Pacifier
IMXGT-2610

Material: Plastic
2-piece nylon strap

Sloan



Pacifier
SLO441721

2-piece nylon strap

Economy



Standard Gladhandles[®]
IMXGT-5340

Packaged
1/2 in. NPTF male connect to gladhand
1/2 in. NPTF female connect to air coil

Economy



Xtreme Gladhandles[®]
IMXGT-5341

Packaged
1/2 in. NPTF male connect to gladhand
1/2 in. NPTF female connect to air coil

Phillips



Gladhand Extensions
PHI12-600

Heavy diamond knurl grip

Economy



Filter Screen
IMXGT-5320

Cross Ref: Tectran# 610035

Material: Stainless

Phillips



Filter Screen
PHI12-038

Fits: PHI12-006, PHI12-008, PHI12-010,
PHI12-136, PHI12-138
Canada Approved

Pro-Par



Pipe Nipple
PROGH1136902662

Material: Steel
Size: 1/2 in. Hex

TRAMEC
SLOAN

pro-par

PHILLIPS

Gladhand Accessories

Gladhands

Bracket
PROGH209-313-12



Pro-Par Material: Stainless Steel

Hook Bracket

Location	
Left Hand	PROGH209-371
Right Hand	PROGH209-372



Pro-Par Material: Stainless Steel

"Y" Pipe

Type	Pipe Size	
Female	1/2 in.	PROGH7422D



Pro-Par Material: Galvanized Steel

Pipe Plug

Pipe Size	
1/2 in.	PROGH7561



Pro-Par Material: Galvanized Steel

45° Swivel Mount
TRA36380



Tramec Bottom Port

90° Swivel Mount
TRA36390



Tramec Bottom Port

STOW-A-WAY™ Holder
PHI15-042



Phillips 2 Plug, 2 Gladhand

Gladhand Holder
SLO441731



Sloan Stamped Steel

Air Systems

AIR

Gladhand Accessories

Gladhands

Bracket Assembly

Hose Color	
Blue	TEC925BZ99FX
Red	TEC925RZ99FX

Tectran



Length: 20 in.

Docker for Gladhands

TRA34211

Tramec



No Mounting Hardware

45° Swivel Fitting

Tubing Outer Diameter	
3/8 in.	TRA55286
1/2 in.	TRA55287

Tramec



Material: Brass

Gladhand Plate

WAB04S02035

Wabash



TRAMEC
SLOAN

TECTRAN
AIR SYSTEMS

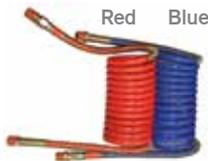
PHILIPS

WABASH

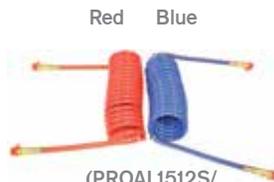
Coiled Air Hoses

15 ft. Working Length - 12 in. Lead

	Type	For	Color	Fittings
PHI11-715	Standard	Set	(1) Red, (1) Blue	1 Fixed / 1 Swivel
PHI11-315	Heavy Duty	Set	(1) Red, (1) Blue	1 Fixed / 1 Swivel
PROAL1512S	Standard	Set	(1) Red, (1) Blue	-
PHI11-317	Heavy Duty	Emergency	Red	1 Fixed / 1 Swivel
PROAL1512R	Standard	Emergency	Red	-
PROAL1512B	Standard	Service	Blue	-



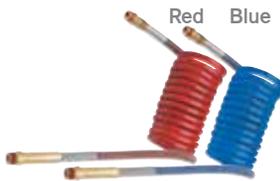
Set
Red (PHI11-715/
PHI11-717/
Blue PHI11-718)



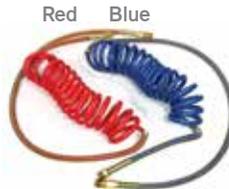
(PROAL1512S/
PROAL1512R
PROAL1512B)

15 ft. Working Length - 40 in. Lead

	Type	For	Color	Fittings
PHT6001540CBR	Stallion	Set	(1) Red, (1) Blue	-
PROAL1540S	Standard	Set	(1) Red, (1) Blue	1 Fixed / 1 Swivel
PHI11-3400	-	Set	(1) Red, (1) Blue	-
PHI11-338	Heavy Duty	Emergency	Red	1 Fixed / 1 Swivel
PROAL1540R	Standard	Emergency	Red	1 Fixed / 1 Swivel
PROAL1540B	Standard	Service	Blue	1 Fixed / 1 Swivel



Set
Red (PHI11-3400)
Blue



(PROAL1540S/
PROAL1540R
PROAL1540B)



(PHT6001540CBR)

Straight - 15 ft. Working Length

Grip Color	For	
(1) Red, (1) Blue	Set	PHI11-8115
Red	Emergency	PHI11-8117
Blue	Service	PHI11-8118



Lead: 12 in.
Rubber; Large Grip Handles

Phillips

Sliding Fifth Wheel

Color	Length	
Black	60 in.	PHI11-302



1/4 in. swivel & coil protector

Phillips

Air Systems

AIR

Hoses

Bulk Reinforced Nylon Tubing

	Outer Diameter	Color	Length
AIR1-10	0.25 in.	Black	100 ft.
AIR1-24	0.38 in.	Black	100 ft.
AIR1-26	0.38 in.	Black	500 ft.
PHI11-262	0.38 in.	Black	250 ft.
AIR1-29	0.38 in.	Blue	100 ft.
AIR1-30	0.38 in.	Blue	500 ft.
AIR1-33	0.38 in.	Red	100 ft.
AIR1-35	0.38 in.	Red	500 ft.
AIR1-38	0.50 in.	Black	100 ft.
AIR1-4	0.50 in.	Black	500 ft.
AIR1-42	0.50 in.	Blue	100 ft.
AIR1-47	0.50 in.	Red	100 ft.
AIR1-49	0.50 in.	Red	500 ft.
AIR1-39	0.62 in.	Black	50 ft.
AIR1-52	0.62 in.	Black	250 ft.
AIR1-45	0.75 in.	Black	50 ft.



(AIR1-38)



(AIR1-42)



(AIR1-47)

Bulk Rubber Air Hose

	Inner Diameter	Length
AIR4821-06451	0.38 in.	50 ft.
AIR4821-06498	0.38 in.	250 ft.
TRA31002	0.38 in.	250 ft.
AIR4821-08451	0.50 in.	50 ft.
AIR4821-08498	0.50 in.	250 ft.
TRA31005	0.50 in.	250 ft.



(AIR4821-08451)

Rubber Air Hose Assemblies

Repair Kit 3/8 in. ID

Color	
Blue	AIR262060-20BKIT
Red	AIR262060-20RKIT



Repair Kit 3/8 in. ID

Color	
Blue	AIR262080-20BKIT
Red	AIR262080-20RKIT



TRAMEC
SLOAN

PHILIPS

Rubber Air Hose Assemblies

**Repair Kit 3/8 in. ID
TRA31540-180**



Hoses with Gladhand Grips - 3/8 in. ID Hoses,
1/2 in. Swivel Fitting

**3/8 in. ID
TRA262288-120S**



3/8 in. Inner Diameter

	Length	Color	End Fittings
AIR262060-20B	20 in.	Blue	3/8 in. Fixed - Fixed
AIR262060-20R	20 in.	Red	3/8 in. Fixed - Fixed
AIR262080-20B	20 in.	Blue	1/2 in. Fixed - Fixed
AIR262080-20R	20 in.	Red	1/2 in. Fixed - Fixed
PROBH3838F20	20 in.	Black	3/8 in. Fixed - Swivel
IMXGTA-3838S24	24 in.	Black	3/8 in. Swivel - Swivel
PROBH3838F24	24 in.	Black	3/8 in. Fixed - Swivel
PROBH3838S24	24 in.	Black	3/8 in. Swivel - Swivel
PROBH3838F28	28 in.	Black	3/8 in. Fixed - Swivel
PROBH3838F30	30 in.	Black	3/8 in. Fixed - Swivel
PROBH3838S30	30 in.	Black	3/8 in. Swivel - Swivel
PROBH3838S32	32 in.	Black	3/8 in. Swivel - Swivel
AIR262288-36BVS	36 in.	Blue	3/8 in. Fixed - Fixed
AIR262288-36RVS	36 in.	Red	3/8 in. Fixed - Fixed
PROBH3838F36	36 in.	Black	3/8 in. Fixed - Swivel
PROBH3838S36	36 in.	Black	3/8 in. Swivel - Swivel
AIR262288-44BVS	44 in.	Blue	1/2 in. Fixed - Fixed
AIR262288-44RVS	44 in.	Red	1/2 in. Fixed - Fixed
PROBH3838S40	40 in.	Black	3/8 in. Swivel - Swivel
PROBH3838F44	44 in.	Black	3/8 in. Fixed - Swivel
IMXGTA-3838S48	48 in.	Black	3/8 in. Swivel - Swivel
PROBH3838S48	48 in.	Black	3/8 in. Swivel - Swivel
AIR262288-60BVS	60 in.	Blue	1/2 in. Fixed - Fixed
AIR262288-60RVS	60 in.	Red	1/2 in. Fixed - Fixed
PROBH3838S60	60 in.	Black	3/8 in. Swivel - Swivel
AIR262288-72BVS	72 in.	Blue	1/2 in. Swivel - Swivel
AIR262288-72RVS	72 in.	Red	1/2 in. Swivel - Swivel
AIRPS12138-072	72 in.	Black	1/2 in. Swivel - Swivel
TRA460144	144 in.	Black	3/8 in. Fixed - Fixed
AIR262288-156S	156 in.	Black	3/8 in. Fixed - Fixed



(AIR262288-72BVS)



(PROBH3838S30)



Air Systems

Rubber Air Hose Assemblies

Hoses

1/2 in. Inner Diameter

	Length	End Fittings
PROBH1238F16	16 in.	1/2 in. Fixed - Swivel
PROBH1238S18	18 in.	3/8 in. Swivel - Swivel
PROBH1238F20	20 in.	3/8 in. Fixed - Swivel
PROBH1238S20	20 in.	3/8 in. Swivel - Swivel
PROBH1238S22	22 in.	3/8 in. Swivel - Swivel
PROBH1238F24	24 in.	3/8 in. Fixed - Swivel
PROBH1238S24	24 in.	3/8 in. Swivel - Swivel
PROBH1238S26	26 in.	3/8 in. Swivel - Swivel
HEBSTD1238-27	27 in.	3/8 in. Fixed - Swivel
PROBH1238F28	28 in.	3/8 in. Fixed - Swivel
PROBH1238S28	28 in.	3/8 in. Swivel - Swivel
PROBH1238F30	30 in.	3/8 in. Fixed - Swivel
PROBH1238S30	30 in.	3/8 in. Swivel - Swivel
PROBH1238F32	32 in.	3/8 in. Fixed - Swivel
PROBH1238S32	32 in.	3/8 in. Swivel - Swivel
PROBH1238S34	34 in.	3/8 in. Swivel - Swivel
PROBH1238F36	36 in.	3/8 in. Fixed - Swivel
PROBH1238S36	36 in.	3/8 in. Swivel - Swivel
PROBH1238S38	38 in.	3/8 in. Swivel - Swivel
PROBH1238S40	40 in.	3/8 in. Swivel - Swivel
PROBH1238F42	42 in.	3/8 in. Fixed - Swivel
PROBH1238S42	42 in.	3/8 in. Swivel - Swivel
PROBH1238F44	44 in.	3/8 in. Fixed - Swivel
PROBH1238S44	44 in.	3/8 in. Swivel - Swivel
PROBH1238F46	46 in.	3/8 in. Fixed - Swivel
PROBH1238S46	46 in.	3/8 in. Swivel - Swivel
PROBH1238F48	48 in.	3/8 in. Fixed - Swivel
PROBH1238S48	48 in.	3/8 in. Swivel - Swivel
PROBH1238F54	54 in.	3/8 in. Fixed - Swivel
PROBH1238S54	54 in.	3/8 in. Swivel - Swivel
PROBH1238S56	56 in.	3/8 in. Swivel - Swivel
PROBH1238F60	60 in.	3/8 in. Fixed - Swivel
PROBH1238S60	60 in.	3/8 in. Swivel - Swivel
PROBH1238F72	72 in.	3/8 in. Fixed - Swivel
PROBH1238S72	72 in.	3/8 in. Swivel - Swivel



Quick Reference

Pro-Par Air Brake Connector w/ Spring Guard

Part Number	Hose Size	Pipe Size
PROBF4-14	1/2 in.	1/2 in.
PROBF4-16	1/2 in.	3/8 in.
PROBF4-18	3/8 in.	1/2 in.

Part Number	Hose Size	Pipe Size
PROBF4-20	3/8 in.	1/4 in.
PROBF4-22	3/8 in.	3/8 in.



Slider Hose Assemblies

Rubber Slider Hose Assemblies

	ID	Length	End Fittings	Additional
AIR346600-112S	1/4 in.	112 in.		Spring Guard
TRA32801-124	1/4 in.	124 in.	7/8 in. Anchor Fit	
FRUACE9169-17	3/8 in.	108 in.	1/2 in. Tube - 1/2 in. Tube Bulkhead	
FRUACE9169-18	3/8 in.	108 in.	3/8 in. Tube - 3/8 in. Tube Bulkhead	
TRA32201-108	3/8 in.	108 in.	3/8 in. Tube Bulkhead	Spring Guard
TRA32202-108	3/8 in.	108 in.	7/8 in. Anchor Fit	
FRUACE5946-6	3/8 in.	111 in.	3/8 in. Tube Bulkhead	
TRA32319-112	3/8 in.	112 in.	3/8 in. Tube Bulkhead	
FRUACE5946-7	3/8 in.	120 in.	3/8 in. Tube - 3/8 in. Tube Bulkhead	
TRA32319-122	3/8 in.	122 in.	3/8 in. Tube Bulkhead	
FRUACE5946-8	3/8 in.	123 in.	3/8 in. Tube - 3/8 in. Tube Bulkhead	
TRA32319-124	3/8 in.	124 in.	3/8 in. Tube Bulkhead	
TRA32801-124	1/4 in.	124 in.	3/8 in. Tube Bulkhead	Spring Guard
AIR366600-150	3/8 in.	150 in.	3/8 in. Tube Bulkhead	
TRA32202-108	1/2 in.	108 in.	1/2 in. Tube Bulkhead Fittings	Spring Guard
FRUACE5946-3	1/2 in.	120 in.	1/2 in. Nylon	
FRUACE9169-16	1/2 in.	135 in.	3/8 in. Nylon	



(AIR366600-150)



(TRA32201-108)

Hose Springs

	Diameter	Length
PHI17-111	3/4 in.	11 in.
MID1 1602	1 in.	12-43/64 in.
IMXGT-5002	1 in.	13 in.
TRA34015	1 in.	13 in.
PHI17-116	1 in.	16 in.
IMXGT-5003	1 in.	16 in.
PHI17-120	1 in.	20 in.
IMXGT-5004	1 in.	25 in.
PHI17-125	1 in.	25 in.
MID1 1603	1-5/64 in.	15 in.
MID1 1600	1-1/8 in.	25-3/32 in.
FRUACF9624-2	Kit	15 in. - Frame Mount
IMXGT-5375	Kit	20 in.
PHI17-148	Kit	20 in.
PHI17-1488HD	Kit	20-1/2 in.
AIR09-022-022A	Large OD	9 in.



(IMXGT-5002)



(PHI17-111)



(FRUACF9624-2)



(IMXGT-5375)



(PHI17-148)

Hose Separators

Bolt-On

2 Hole

	Hole Size	Additional
IMXGT-5001-2	3/8 in.	
MID11541	3/8 in.	Rubberized
TRA34268	3/8 in.	
PHI17-156	3/4 in.	
TRA34269	1/2 in.	



3 Hole

	Hole Size	Additional
MID11543	3/8 in.	
MID11544	3/8 in.	Rubberized
TRA34213	3/8 in.	+ Pogo Stud
MID11546	3/8 in. - 1/2 in.	
PHI17-153	3/8 in. - 1/2 in.	QWIK-SNAP™
IMXGT-5001	3/4 in.	
PHI17-157	3/4 in. Hole Size	



4 Hole PHI17-158



Holes: (2) 27/32 in. & (2) 39/64 in.

Phillips

Haldex

TRAMEC
SLOAN

PHILIPS

Hose Separators

Snap-On

	Hose Size
IMXGT-5500-38	3/8 in.
MID1 1548	3/8 in.
TRA34020	3/8 in.
TRA34150	3/8 in. & 1/4 in.
FRUACE6500	3/8 in. & 1/2 in.
TRA34022	3/8 in. & 1/2 in.
FRUACE6477-1	1/2 in.
MID1 1549	1/2 in.
PHI17-155	1/2 in.
TRA34021	1/2 in.
PHI17-152	Adjustable Qwik-Snap™



(IMXGT-5500-38)



(TRA34020/
TRA34021)



(MID11548)



(TRA34150/
TRA34022)



(PHI17-152)



(PHI17-155)



(FRUACE6500)



(FRUACE6477-1)



(MID11549)

Pogo Sticks

	Length	Finish
IMXGT-5370	40 in.	Zinc
IMXGT-5371	40 in.	Chrome
IMXGT-5372	40 in.	Black Powder Coat
PHI17-0400	40 in.	Chrome
PHI17-0401	40 in.	Gold Chromate



(PHI17-0400/
PHI17-0401)

(IMXGT-5370 /
IMXGT-5371 /
IMXGT-5372)

Snap-On Clip

	Size
CLP10-01	4 in.
PHI17-160	4 in.
PHI17-163	2-3/8 in.



(PHI17-160/
PHI17-163)



(CLP10-01)

For Tracker Bar & Pogo Stick

Air Systems

AIR

Hose Accessories

Hoses

Slider Spring with Tandem Frame Clip
PHI17-103



Length: 3 in. x 3/4 in.

Phillips

Hose Hanger Clip
CLP09-019-004A



Beam Clip

Type	Part Number
Clip Only	CLP03-068-040
Assembly	CLP09-17-020A



(CLP09-017-020A)

Base Pipe Clamp
WAB21200029



Wabash

Tube Clamp
CLP23-024-015



Size: 3/4 in.
Material: Galvanized Steel Vinyl Coated

Sensor Wire Retaining Hose Clip
MIDAL920809



Haldex

Hose Clip
MIDA902701



Haldex

MAXXClamp Twist
TRA451169



Tramec

For 3/8 in. Hoses



Tire Inflation Components

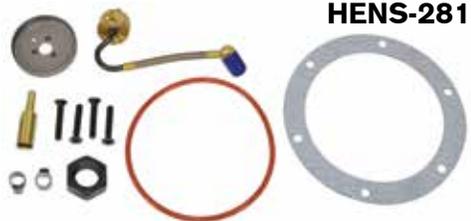
Tire Inflation Components

Tee Fitting Guard
HENVS-27890



Hendrickson

Hendrickson Rotary Union Retro Kit
HP & HUS/ P90 Spindle Plug
HENS-28193



Hendrickson

Includes: rotary union assembly, 2.75 in. spindle plug, two hose clamps, four machine screws, HP hubcap gasket, HUS/P90 hubcap o-ring & hose end adapter

Rotary Union Retro Kit, No Spindle Plug
HENS-28622

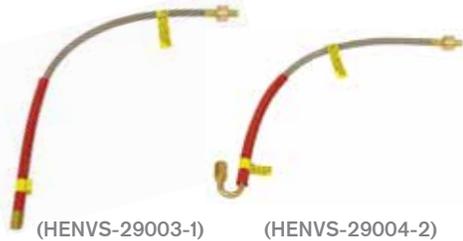


Hendrickson

Includes: rotary union assembly, two hose clamps, four machine screws, & hose end adapter

TIREMAAX Hose

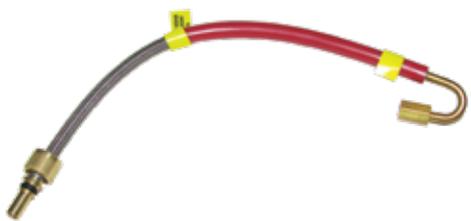
Length	Type	
16-39/64 in.	Straight	HENVS-29003-1
15 in.	180° Svc. Pt.	HENVS-29004-2



Hendrickson

(HENVS-29003-1) (HENVS-29004-2)

TIREMAAX Hose Assembly
HENVS-29004-1



Hendrickson

Type: 180° Svc. Pt.

Axle Tube Hose
HENVS-29094-1



Hendrickson

Intraax / Vantraxx For Inflation System

Check Tee Fitting
HENVS-29854



Hendrickson

Tiremaxx, Dual Tire

TIREMAAX Wheel Kit
HENVS-30002



Hendrickson

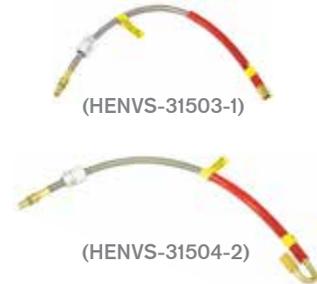
90 Degree Elbow Fitting for Single Tires

Tire Inflation Components

Hendrickson

Tire Hose Assemblies

	Fitting	Type
HENVS-31503-1	Straight	Stainless Steel
HENVS-31503-2	Straight	Stainless Steel
HENVS-31503-3	Straight	Stainless Steel
HENVS-31504-1	180°	Stainless Steel
HENVS-31504-2	180°	Stainless Steel
HENVS-33767-1	Straight	Thermoplastic
HENVS-33767-5	Straight	Thermoplastic
HENVS-33769-1	180°	Thermoplastic



**IMPROVE YOUR
BOTTOM LINE**

TIREMAAX® PRO

Advanced tire pressure control system inflates low tires, relieves over-inflated tires and equalizes pressure across all wheel positions – saving you money at every turn. Watch your savings add up when you spec TIREMAAX® PRO. *Engineered for Efficiency™*

HENDRICKSON
www.TIREMAAX.com

Tire Inflation Components

Tire Inflation Components

Hendrickson

Pro Controller Assembly
HENVS-32074-100

Hendrickson



Programmed

Pro Controller Assembly
HENVS-32074-105

Hendrickson



Programmed

ABS Junction Harness
HENVS-30270

Hendrickson



3-Way Connection
Length: 15 ft.

TIREMAXX Pro Axle Hose
HENVS-32087-1

Hendrickson



Length: 27-3/8 in.

Lid Assembly
HENVS-34953

Hendrickson



7 x 5 x 3

Quick Reference
Hendrickson Hubcaps

Part Number	Type	For	Style
HENVS-32055-1	HN	Oil	PRO hubcap
HENVS-32056-1	HP		
HENVS-32056-3	HP	Grease	
HENVS-32070-1	HP	Oil	CP Integrated hubcap
HENVS-32070-3	HP	Grease	



Tire Inflation Components

Tire Inflation Components

Meritor

Pressure Protection Valve
MTR31023-01



Meritor

MTIS Control Box

MTIS Control Box Assembly
MTR31082-00-85



Meritor

Assembly w/Internal Components - 85 PSI

Pressure Regulator Valve
MTR31083-02



Meritor

MTIS Control Box

Flow Sensing Switch
MTR31084-10



Meritor

MTIS Control Box Assembly
MTR31082-00



Meritor

MTIS Empty Control Box

Type	MTR31083-01
Replacement Lid	MTR31083-28



Meritor

Control Box Shut Off Valve
MTR31083-09



Meritor

MTIS Control Box

In Line Filter
MTR31103-00



Meritor

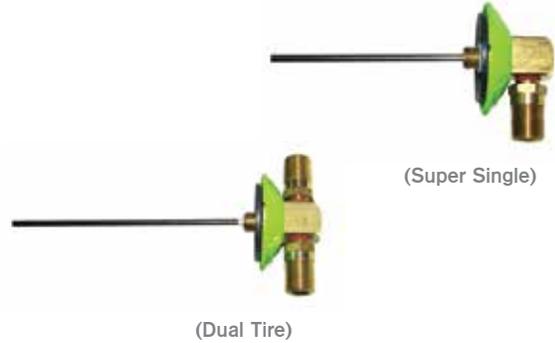


Tire Inflation Components

Meritor

Thru-Tee Assemblies

Part Number	Length	Application
MTR31317-00	4 in.	Dual Tire
MTR31317-03	3-1/2 in.	Dual Tire
MTR31317-03-S	3-1/2 in.	Super Single Tire
MTR31317-04	5 in.	Dual Tire
MTR31317-04-S	5 in.	Super Single Tire



Meritor

Bulkhead / Check Valve MTR31114-00



Meritor

MTIS Control Box

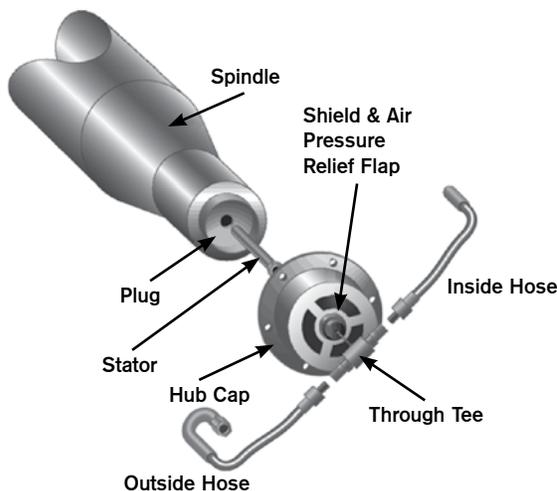
O-Ring MTR31313-29-M



Meritor

Color: Blue
For Thru-Tee

Tech Tip Identification



Meritor P.S.I. Tire Inflation System

Part Number	Description
MTR31314-21	Stator & Filter
MTR3137-03	3-1/2 in. Thru-Tee
MTR3131604	6 in. Thru-Tee
MTR31363-00	Short Flex Hose
MTR31427-00	6 Hole PSI Ready Hubcap with Plug, Clear Window with Gasket
MTR31426-00	6 Hole PSI Ready Hubcap Gray Window

Air Systems

AIR

Tire Inflation Components

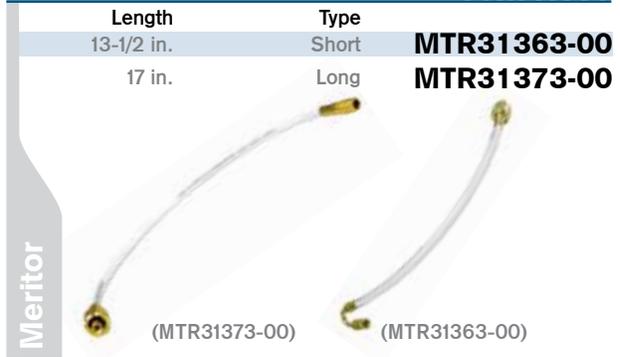
Tire Inflation Components

Meritor

**Stator and Filter
MTR31314-21**



Flex Hose



Flex Hose



**Retro Kit MTIS
MTR31965-22**



**Press Plug
MTR32184-01**



**Press Plug Kit
MTR32184-01A**



**Press Plug Kit
MTR32202-01A**



**Thermalert Press Plug Kit
MTRH218401**



Tire Inflation Components

Tire Inflation Components

Meritor

Bulkhead Fitting
MTR31084-01



Meritor

ThermALERT Thermal Plug Kit
MTRH2200-02



Meritor

Tire Inflation System Light
Rectangle

Type	Color	
Lamp	Clear	MTR31263-14



Pressure Guard
Braided Flex PSI

Length	Type	
11.00 in.	Short	PRG37001
14.00 in.	Long	PRG37000



Pressure Guard

Wabash

ABS/PSI Harness
WAB14402619



Wabash



*Indicates a Remanufactured Product

Brake Valves

Full Function Valves

FF2

	Supply	Delivery	Control	Tank
MIDKN28600	3/8 in.	3/8 in.	1/4 in.	3/4 in.
MIDKN28601	3/8 in.	3/8 in.	1/4 in.	1/2 in.



Service Brake Priority
Combines PPV, One-way, Check Valves, Spring Brake and Relay Valve

Haldex

FF2

	Supply	Delivery	Control	Tank
PROVA-28600	3/8 in.	3/8 in.	1/4 in.	3/4 in.
PROVA-28601	3/8 in.	3/8 in.	1/4 in.	1/2 in.



Service Brake Priority
Combines PPV, One-way, Check Valves, Spring Brake and Relay Valve

Pro-Par

Quick Release Valves

QR-1

Crack Pressure	Supply	Delivery	
0 PSI	3/8 in.	3/8 in.	BEN229859



Bendix

QR-L Inline BEN800333



Bendix

Supply & Delivery Ports: 1/2 in.
Direct Mount

QRN

BENK049777



Bendix

Supply & Delivery Ports: 3/8 in.
Crack Pressure: 0 PSI

QR-1

BENOR229859X[^]



Bendix

Supply: 3/8 in. Delivery: 3/8 in.



*Indicates a Remanufactured Product

Brake Valves

AIR
Valves

Quick Release Valves

Quick Draw Valve
HENVS-25224

Hendrickson



3-way; With Fittings
Auto Reset

MIDKN32005

Haldex



Ports: 3/8 in. Crack Pressure: 0 PSI
Composite Material

MIDKN32011

Haldex



Inlet: 1/2 in. Outlet: 3/8 in.
Crack Pressure: 0 PSI; Composite Material

MIDKN32013

Haldex



Inlet: 1/2 in. Outlet: 3/8 in.
Crack Pressure: 0 PSI; Composite Material
with Cover

MIDKN32041

Haldex



Inlet: 1/4 in.(2) Outlet: 3/8 in. (2)
Two-Way Check with Bracket

QR-1
Crack Pressure 0 PSI Supply Delivery 3/8 in. 3/8 in. **PROVA-229859**

Pro-Par



QR-1C

Pro-Par



Inlet: 1/2 in. Outlet: 3/8 in.
Crack Pressure: 0 PSI; Composite Material

Pro-Par



Supply: 1/4 in. Delivery: 3/8 in. (2)
Crack Pressure: 0 PSI

PROVA-229860

PROVA-289714

*Indicates a Remanufactured Product

Brake Valves

Quick Release Valves

Sealco



SEA2000D

Inlet: 1/2 in. Outlet: 3/8 in.
Crack Pressure: 0-1 PSI

Tramec



TRA51103

Ports: 3/8 in. Crack Pressure: 0 PSI

Tramec



TRA51107

Ports: 3/8 in. Crack Pressure: 0 PSI

Relay Valves

R-12 Pilot

Supply	Delivery	Type	
1/2 in.	3/8 in.	Horizontal	BEN065476
1/2 in.	3/8 in.	Horizontal	BENOR109264X[^]

Bendix



Includes: Bracket

Relay Valves

Bendix



R-12

Crack	Port	Type	
4 PSI	3/8 in.	Vertical	BEN102626
4 PSI	3/8 in.	Vertical	BENOR102626X[^]

Includes: Bracket

Bendix



SV-4 Trailer Valve

BEN108769

Breather: 1 in. HEX
Supply: 1/4 in. Delivery: 1/4 in.

Tech Tip

Relay Valves

Relay Valves are used in air brake systems to remotely control the brakes at the rear of a vehicle. They are used in order to speed-up brake application and release since air takes longer to travel to the rear of the vehicle.



*Indicates a Remanufactured Product

Brake Valves

AIR
Valves

Relay Valves

R-12
BENR12



Bendix

Supply: 1/2 in. Delivery: 3/8 in, Crack Pressure: 4 PSI, Vertical
Includes: Bracket

R-11
MID109264RX*



Haldex

R-8P
MIDKN28300



Haldex

Supply: 1/2 in. Delivery: 1/2 in. Control: 3/8 in.
Differential Pressure: 0 PSI
Dolly, Long Trailer; Fast Air and Balancing

RG2
MIDKN28510



Haldex

Supply: 3/8 in., 1/2 in. Delivery: 3/8 in.
Control: 1/4 in. Crack Pressure: 5.6 PSI
2-Port Trailer Valve

R-12
PROVA-065104



Pro-Par

Supply: 1/2 in. Delivery: 3/8 in, Crack Pressure: 4 PSI, Vertical
Includes: Bracket

Bobtail Brake Proportioning
PROVA-065145



Pro-Par

Bobtail Brake Proportioning
PROVA-065146



Pro-Par

Non-ABS Service Relay Valve R12
PROVA-102626



Pro-Par

Vertical Ports
1/2 in. E Port



Brake Valves

Relay Valves

R-12
PROVA-103009



Pro-Par

Crack	Supply	Delivery	R-14
4 PSI	3/4 in.	1/2 in.	PROVA-103010



Pro-Par

Type: Horizontal

R-12
PROVA-103028



Pro-Par

Non-ABS Service
PROVA-110139



Pro-Par

Supply: 3/8 in. Delivery: 3/8 in.(2) Control: 3/8 in.
Tank: 3/4 in. Crack Pressure: 4.5 PSI
1 Valve to Control 2 Axles

Service
PROVA-110197



Pro-Par

Delivery: 3/8 in. Control: 3/8 in. Tank: 1/2 in.
Crack Pressure: 4 PSI

Emergency
PROVA-110200



Pro-Par

Supply: 1/4 in. Delivery: 3/8 in.(4) Control: 1/4 in.
Tank: 3/4 in. Crack Pressure: 4.5 PSI
Charging Style

Service
PROVA-110410



Pro-Par

Delivery: 3/8 in.(2) Control: 3/8 in. Tank: 1/2 in.
Crack Pressure: 1.5 PSI; Nipple Mount
Non-ABS

Service
PROVA-110415



Pro-Par

Delivery: 3/8 in.(4) Control: 3/8 in. Tank: 3/4 in.
Crack Pressure: 4.0 PSI; Nipple Mount
Non-ABS



Brake Valves

Valves

Pro-Par



Service
PROVA-12352

For use on pre-121 trailers (pre-1974)
Crack Pressure: 4.5 PSI

Pro-Par



Relay Valves
RE-6 Emergency
PROVA-281865

Delivery "A" PT: 3/8 in. (2)
Delivery "B" PT: 1/4 in. (2)

Pro-Par



RG2
PROVA-28500

Supply: 3/8 in. Delivery: 3/8 in. Control: 1/4 in.
Crack Pressure: 5.6 PSI
2-Port Trailer Valve

Pro-Par



RG2
PROVA-28510

Supply: 3/8 in., 1/2 in. Delivery: 3/8 in.
Control: 1/4 in. Crack Pressure: 5.6 PSI
2-Port Trailer Valve

Pro-Par



RG2 Relay Valve
PROVA-28520

Supply: 1/2 in. Delivery: 1/2 in. Control: 1/4 in.
Crack Pressure: 5.5 PSI
2-Port Trailer Valve

Pro-Par



Emergency
PROVA-30400

Delivery: 3/8 in.(4) Inlet: 1/4 in. Tank: 3/4 in. Nipple
Crack Pressure: 3 PSI; Charging

Pro-Par



Emergency
PROVA-A10005

Supply: 1/4 in. Delivery: 1/4 in. Control: 1/4 in.
Tank: 1/2 in. Crack Pressure: 1.5 PSI
Pre FVMSS-121; Charging Style

Sealco



Non-ABS Service Relay Valve
SEA110139

Supply: 3/8 in. Delivery: 3/8 in.(2) Control: 3/8 in.
Tank: 3/4 in. Crack Pressure: 4.5 PSI
1 Valve to Control 2 Axles



Air Systems

Brake Valves

Valves

Relay Valves

Spring Brake Control Valve

SEA110191



Sealco

Supply: 3/8 in. Delivery: 3/8 in. Control: 3/8 in.
Tank: 1/2 in. & 3/8 in.;
Cover Plate Orientation: 90°

Service

SEA110197



Sealco

Delivery: 3/8 in. Control: 3/8 in. Tank: 1/2 in.
Crack Pressure: 4 PSI

Emergency

SEA110200



Sealco

Supply: 1/4 in. Delivery: 3/8 in.(4) Control: 1/4 in.
Tank: 3/4 in. Crack Pressure: 4.5 PSI
Charging Style

Emergency

SEA110205



Sealco

Supply: 3/8 in. Delivery: 3/8 in.(4) Control: 3/8 in.
Tank: 3/4 in. Crack Pressure: 4.5 PSI
Charging Style with Ratio Feature

Emergency

SEA110338



Sealco

Supply: 3/8 in. Delivery: 3/8 in.(4) Control: 3/8 in.
Supply Outlet: 3/8 in. Tank: 3/4 in.
Crack Pressure: 4.5 PSI; Non-Charging Style

Service

SEA110380



Sealco

Delivery: 3/8 in.(4) Control: 3/8 in. Tank: 3/4 in.
Crack Pressure: 1.5 PSI; Nipple Mount
Non-ABS

Service

SEA110410



Sealco

Delivery: 3/8 in.(2) Control: 3/8 in. Tank: 1/2 in.
Crack Pressure: 1.5 PSI; Nipple Mount
Non-ABS

Service

SEA110415



Sealco

Delivery: 3/8 in.(4) Control: 3/8 in. Tank: 3/4 in.
Crack Pressure: 4.0 PSI; Nipple Mount
Non-ABS



Brake Valves

Relay Valves

**Emergency
SEAA-1000-S**



Sealco

Supply: 1/4 in. Delivery: 1/4 in. Control: 1/4 in.
Tank: 1/2 in. Crack Pressure: 1.5 PSI
Pre FVMSS-121; Charging Style

**Trailer Emergency Valve
TRA51301**



Tramec

Spring Brake Priority

**Sensing Trailer Emergency Valve
TRA51321**



Tramec

Service Brake Priority

Spring Brake Valves

SR-5

	Type	Port
BENK033221	Anti-Compounding	3/4 in.
BENK033223	Anti-Compounding	1/2 in.
BENOR109615X[^]	Anti-Compounding	3/4 in.
BENOR109617	Anti-Compounding	1/2 in.



Bendix

SR-2

BENK033216



Bendix

Reservoir Port: 3/4 in.

SR-5

PROVA-065437



Pro-Par

Type: Anti-Compounding
Port: 3/4 in.



Air Systems

AIR

Valves

Brake Valves

Spring Brake Valves

Pro-Par

SR-5
PROVA-065439



Type: Anti-Compounding
Port: 1/2 in.

Pro-Par

SR-4
PROVA-101112



Pro-Par

SR-4
PROVA-101622



Pro-Par

SR-2
PROVA-102761



Reservoir Port: 3/4 in.

Pro-Par

Control
PROVA-110170



Supply: 3/8 in. Delivery: 3/8 in. Control: 3/8 in.
Tank: 1/2 in.; Cover Plate Orientation: Standard

Pro-Par

Control
PROVA-110171



Supply: 3/8 in. Delivery: 3/8 in. Control: 3/8 in.
Tank: 3/8 in. & 1/2 in.;
Cover Plate Orientation: 90°

Pro-Par

Emergency
PROVA-110205



Supply: 3/8 in. Delivery: 3/8 in.(4) Control:3/8 in.
Tank: 3/4 in. Crack Pressure: 4.5 PSI
Charging Style with Ratio Feature

Pro-Par

Control
PROVA-110500



Supply: 3/8 in. Delivery: 3/8 in.(4) Control:3/8 in.
Tank: 1/2 in.; Spring Brake Priority



Brake Valves

Enhanced Control
PROVA-110700

Pro-Par



Supply: 3/8 in. Delivery: 3/8 in. Control: 3/8 in.
Tank: 1/2 in.; Service Brake Priority

Spring Brake Valves
Enhanced Control
PROVA-110800

Pro-Par



Supply: 3/8 in. Delivery: 3/8 in. Control: 3/8 in.
Tank: 1/2 in.; Spring Brake Priority

Control
SEA110170

Sealco



Supply: 3/8 in. Delivery: 3/8 in. Control: 3/8 in.
Tank: 1/2 in.; Cover Plate Orientation: Standard

Control
SEA110171

Sealco



Supply: 3/8 in. Delivery: 3/8 in. Control: 3/8 in.
Tank: 3/8 in. & 1/2 in.;
Cover Plate Orientation: 90°

Emergency Control
SEA110376

Sealco



Supply: 3/8 in. Delivery: 3/8 in. Control: 3/8 in.
Tank: 3/8 in.

Control
SEA110500

Sealco



Supply: 3/8 in. Delivery: 3/8 in.(4) Control: 3/8 in.
Tank: 1/2 in.; Spring Brake Priority

Enhanced Control
SEA110700

Sealco



Supply: 3/8 in. Delivery: 3/8 in. Control: 3/8 in.
Tank: 1/2 in.; Service Brake Priority

Enhanced Control
SEA110800

Sealco



Supply: 3/8 in. Delivery: 3/8 in. Control: 3/8 in.
Tank: 1/2 in.; Spring Brake Priority

Air Systems

AIR

Valves

Height Control Valves

Hadley

Kit
HADH01500UN



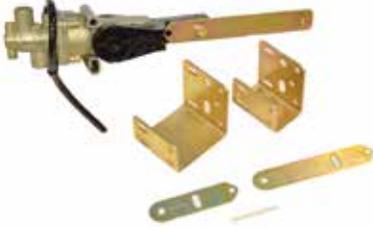
Hadley
3/8 in. Push to Connect Fittings

Kit
HADH01502UNC



Hadley
0 Pressure

Kit
HADH00500C



Hadley
Without Dump Valve

Kit
HADH00500CA



Hadley
REV. ACT. VLV RW 202543/203758
0 Pressure

Hendrickson

Kit
HENAKH-134-3



Hendrickson
5 in. Axle; Less Dump
HT Series Suspensions

Kit
HENAKH-244B



Hendrickson
AAT at 14 in. Ride Height
INTRAAX Series Suspensions

Kit
HENVS-227



Hendrickson

Kit
HENVS-228



Hendrickson
Includes Dump



Valves

Height Control Valves

Hendrickson

HENVS-27116

Hendrickson



With Differential Dump

SAF Holland

**Kit
HOL508-60-013**

SAF Holland



Non-Dump

SAF Holland

**Kit
HOL508-60-015**

SAF Holland



0 Pressure

**Kit
HOL508-60-016**

SAF Holland



0 Pressure

Haldex / Neway

NEW900-54-007

Haldex



Ports: 1/8 in. Fittings Provided: 1/4 in.
Controlled Response

NEW905-54-183

Haldex



Ports: 1/8 in. Fittings Provided: 3/8 in.
Controlled Response

Tech Tip

Height Control Valves

Height control valves are used to automatically control the vehicle's ride height by inflating and deflating the air suspension.

Air Systems

AIR

Valves

Height Control Valves

Haldex / Neway

NEW905-54-994



Kit

Ports: 1/4 in. 7 in. Adjustable Arm
Precision Response with Bracket, Less Dump

NEW905-55-094



Kit

Pilot: 1/4 in. Ports: 3/8 in. 7 in. Adjustable Arm
Dump Valve - Normally Open, Requires Pressure to Dump; Precision Response; Push to Connect

NEW905-55-100



Kit

Push to Connect Fittings

Pilot: 1/4 in. Ports: 3/8 in. 5 in. Adjustable Arm
Dump Valve - Normally Closed, Dumps when Pressure is Removed; Precision Response Plus

NEW905-55-105



Kit

Ports: 1/4 in. Less Dump; Less Arm
Immediate Response; Plastic

NEW905-55-353



Kit

Push to Connect Fittings

Pilot: 1/4 in. Ports: 3/8 in. 7 in. Fixed Arm
Dump Valve - Normally Open, Requires Pressure to Dump; Precision Response Plus

NEW905-55-365



Kit

Pro-Par

PROVA-27000



Kit

Ports: 1/4 in. H Arm: 12 in. V Arm: 14 in.
Includes Linkage; Composite Material
Immediate Response

PROVA-90054007



Kit

Ports: 1/8 in. Fittings Provided: 1/4 in.
Controlled Response

Haldex

pro-par

Valves

Height Control Valves

Valves

Pro-Par

**Pro-Par
Kit**

PROVA-90554241



Ports: 1/4 in. Less Dump; Less Arm
Immediate Response; Plastic

**Ridewell
Kit**

RDW6300BFAB13



Ridewell

Kit

RDW6310BFAB11



RDW6311BFAB13



Height Control Valve Accessories

Hendrickson

HENAKEM0005-1



Hendrickson

Dump Valves

Auto

HENVS-23460



Air Systems

AIR

Valves

Height Control Valve Accessories

Dump Valves

NEW905-54-335

Haldex

Ports: 1/8 in. Fittings Provided: 1/4 in. & 3/8 in.
Normally Open, Requires Pressure to Dump
For Controlled Response Height Control Valve

Sensor Valve

NEW905-54-664

Haldex

External Dock Lock
Auto Reset

Height Control Linkages

Kit
HADH00450CE

Hadley

Universal Linkage Kit
HADHPB450-3

Hadley

HENS-14187

Hendrickson

Bolted Style

Height Control Linkage
HOL48100225

SAF Holland

Adjustable Rod
19-5/8 in. Maximum

NEW481-00-367

Haldex

14 in. Max Height
Adjustable Bolt Together

NEWSRK-205

SAF Holland

Adjustable Rod
13-1/2 in. Maximum

Haldex

HADLEY

HENDRICKSON

SAF Holland

Valves

Height Control Valve Accessories

Height Control Linkages

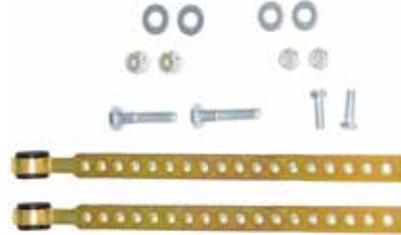
Linkage End Link
NEW900-54-516

Haldex



PROVA-Q500

Pro-Par



14 in. Max Height
Adjustable Bolt Together

Manual Valves

NEW900-54-088

Haldex



Ports: 1/8 in.
Self Relieving

Ball Valves

C-5 Shut-off Valve

BBTP6760-0009

3-way



BEN285172N

Bendix



Tech Tip

Ball Valves

Ball Valves use a hollow, perforated, pivoting ball to control flow through it. It is open when the ball's hole is in line with the flow and closed when it is pivoted 90-degrees by the valve handle.

Air Systems

AIR

Valves

HENDRICKSON

HalDEX

pro-par

SEALCO

Manual Valves

Ball Valves

FIT8-8FBV



1/2 in.

HENAK-147-1



Hendrickson

HENVS-22535



Hendrickson

3-way

Hand Control Valves

MIDKN20001



HalDEX

Ports: 1/8 in. Mount Holes: #10-24
Handle Chrome; Panel Mount - Flipper

NEW900-54-082



HalDEX

Ports: 1/4 in.; Manually Reducing Inbound
Pressure 50 to 120 PSI to Desired Output

Lever Control Valve

PROVA-229635



Pro-Par

Included
Name Plate

SEA21600
SEA21600-2



Sealco

Inlet: 1/8 in. Outlet: 1/8 in.
Name Plate: 821

Manual Valves

Valves

PP-1 Control Valve

BENOR276567X[^]



Bendix

Auto Release at 40 PSI

Push Pull Valves

HENVS-14179



Hendrickson

HENVS-25223



Hendrickson

3-Way Valve
Auto-Reset

HENVS-30428



Hendrickson

Knob
MID12509



Haldex

Hostler Valve
MIDKN20010



Haldex

Pop Pressure: 25/40 PSI Ports: 1/4 in.
Knob: MIDN14514

Hostler Valve
MIDKN20011



Haldex

Pop Pressure: 0 PSI Ports: 1/4 in.
Knob: MIDN14514

Knob
MIDN14514



Haldex

Thread: 1/4-28

Air Systems

AIR

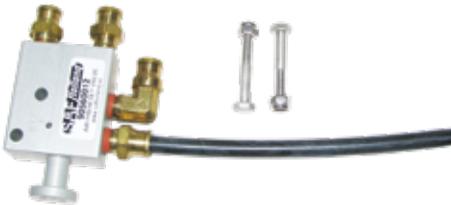
Valves

Manual Valves

Push Pull Valves

Haldex

Slider Pin
NEW905-60-012



For CB400

Pro-Par

PROVA-17600



Inlet/Outlet/Exhaust: 1/4 in.
Dolly / Trailer Park Brake Release

Pro-Par

PROVA-20031



Pro-Par

PP-7 Trailer Supply Valve
PROVA-288239



Auto Release at 40 PSI
Supply: 1/8 in. Delivery: 1/4 in. Control: 1/8 in.

Pro-Par

Dash Control
PROVA-M7102



Sealco

Actuator
SEA110589WC



Auto reset control with weather cap

Sealco

SEA17600B



Inlet/Outlet/Exhaust: 1/4 in.
Dolly / Trailer Park Brake Release
Name Plate: SEA826 Knob: SEA13

Sealco

SEA17610



Inlet: 3/8 in. Outlet: 3/8 in.

Valves

Manual Valves

Push Pull Valves

SEA996555-M



Sealco

Inlet/Outlet: 1/4 in. Pilot: Breather Installed
Manual Reset

VEL320175



Velvac

4-Way, Non-Holding

System Control Valves

Booster Valves

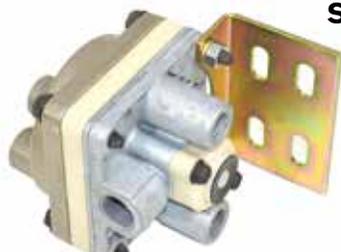
Dolly Control Line (Booster) Valve
SEA110570



Sealco

Delivery: 3/8 in.(2) Control: 3/8 in. Tank: 1/2 in.
Crack Pressure: 0 PSI; Includes Bracket

STD Control Line (Booster) Valve
SEA110580



Sealco

Delivery: 3/8 in.(2) Control: 3/8 in. Tank: 1/2 in.
Crack Pressure: 0 PSI; Includes Bracket

Check Valves

SC3 Single Check

F Size	M Size	Part Number
1/2 in.	1/2 in.	BEN800372
3/8 in.	3/8 in.	BEN800373
1/4 in.	1/4 in.	BEN800375



Bendix

One-Way Check
MIDKN23000



Haldex

Inlet / Outlet: 1/2 in.



Air Systems

AIR

Valves

System Control Valves

Check Valves

One-Way Check
MIDKN23010



Haldex

Inlet / Outlet: 3/8 in.

DC-4 Double Check Valve
PROVA-278614



Pro-Par

All Ports 3/8 in.

2 Way Check Valve
SEA320100



Sealco

Inlet: 3/8 in. Outlet: 3/8 in.

One-Way Check
PROVA-23000



Pro-Par

Inlet / Outlet: 1/2 in.

Compressor Safety Valve Assembly
PROVA-284142



Pro-Par

Multi-Function Valves

RT-4
MIDKN26020



Haldex

Supply: 3/8 in. Plug Delivery: 3/8 in.(4)
Control: 3/8 in. Reservoir: 3/8 in., 3/8 in.
Pressure Protection Closure 70 PSI

RT-4
PROVA-26000



Pro-Par



Valves

System Control Valves

Valves

Pilot Valves

Air
HENVS-23588



Hendrickson

3-way

Air
HENVS-26816



Hendrickson

4-way

Air Suspension

NEW905-54-615



Haldex

Ports: 1/4 in. & 1/8 in.

SEA110587



Sealco

Ports: 3/8 in.

Pressure Gauges

NEW900-54-786



Haldex

Port: 1/4 in.; Silicone Filled
0-100 PSI



System Control Valves

Pressure Protection Valves

Bendix



Bendix



Hendrickson



Haldex



Ports: 1/4 in. Closing Pressure: 65 PSI
Opening Pressure: 70 PSI

Haldex



Haldex



Ports: 1/4 in.
Closing Pressure: 80 PSI

Haldex



Haldex



Ports: 1/4 in. Closing Pressure: 65 PSI
Opening Pressure: 70 PSI
with One-Way Check Valve

Ports: 1/4 in. Opening Pressure: 75 PSI
Closing Pressure: 70 PSI
Replaceable Filter Element

Ports: 1/4 in.; Closing Pressure: 90 PSI
Opening Pressure: 95 PSI



System Control Valves

Valves

Pressure Protection Valves

Pro-Par



PROVA-80-1003

Ports: 1/4 in. Opening Pressure: 75 PSI
Closing Pressure: 70 PSI
Replaceable Filter Element

Sealco



SEA110257

Inlet: 3/8 in. Outlet: 3/8 in.
Closing Pressure: 70 PSI
Used with SEA110338 or SEA110376

Sealco



SEA140270

Inlet: 3/8 in. Outlet: 3/8 in.
Closing Pressure: 60 PSI

Sealco



SEA140280

Inlet: 3/8 in. Outlet: 3/8 in.
Closing Pressure: 70 PSI

Sealco



SEA140370

Sealco



SEA5400

Inlet/Outlet/Exhaust: 1/4 in.
Pressure Range: 0 PSI to Tank Pressure

Regulator Valves

D2 Compressor Governor Valve

PSI	Type	
100 - 120	-	BEN275491

Bendix



Bendix

**Governor
BENOR275491X**



Air Systems

AIR

Valves

System Control Valves

Regulator Valves

Hendrickson

DANSR1PS105



Hendrickson

Air HENVS-1968



Compressor Governor MIDKN18530

Haldex



Cut-in: 105 PSI Cut-out: 130 PSI
Adjustable; Ports - 1/8 in.-27

Compressor Governor PROVA-G8602

Pro-Par



Cut-in: 105 PSI Cut-out: 130 PSI
Adjustable; Ports - 1/8 in.-27

Solenoid Valves

Hendrickson

HENAK-53



Normally Open

Hendrickson

HENVS-24797



Normally Open 12VDC
Port Size: 1/4 in. NPT
Wire Leads: #18 AWG, 24 in. Long

- | Type | Part Number |
|-----------------|----------------------|
| Normally Closed | NEW900-54-074 |
| Normally Open | NEW900-54-075 |

Haldex



Ports: 1/4 in. 12v.

Valves

System Control Valves

TR3 Inversion Valve
BEN101450



Bendix

Inlet Opens at 25 PSI
Exhaust Opens at 40 PSI

Synchronizing Valves
SV-1
BEN283700



Bendix

Tractor Protection Valves

PROVA-279000



Pro-Par

Tech Tip

Testing Trailer Emergency & Service Brakes

Test Trailer Emergency Brakes. Charge the trailer air brake system and check that the trailer rolls freely. Then stop and pull out the trailer air supply control (also called tractor protection valve control or trailer emergency valve), or place it in the "emergency" position. Pull gently on the trailer with the tractor to check that the trailer emergency brakes are on.

Test Trailer Service Brakes. Check for normal air pressure, release the parking brakes, move the vehicle forward slowly, and apply trailer brakes with the hand control (trolley valve), if so equipped. You should feel the brakes come on. This tells you the trailer brakes are connected and working. (The trailer brakes should be tested with the hand valve but controlled in normal operation with the foot pedal, which applies air to the service brakes at all wheels.)*

* Indiana.gov

Valves



Air Systems

AIR

Valves

Miscellaneous Valves

Handle F
AIR8000-007



For: 3-Way Valve P6760-0009

Peter Paul Valve
BBTP6760-0039



Cyclone DuraDrain® Water Separator
BEN801747



Supply: 3/8 in.
Delivery: 3/8 in.

MI-Drilled & Tapped Handle
FRUHKA7455-1



Lift Axle Control Kit
HENAKAD2010-1



Equalizing Valve; Stainless Steel Enclosure
For: Lift Axle

Air Control Steerable
HENHAC-SSI



P3 Pin Puller Valve
HUT17708-01



Air Valve
MTRA1-7806X1090



Bendix

Fruehauf

Hendrickson

Hendrickson

Hutch

Meritor

Valves

Miscellaneous Valves

Dual Brake Foot Valve
PROVA-286171

Pro-Par



Anti-Charge Back Valve
SEA110474

Sealco



Supply Input: 3/8 in. For Dollies
Supply Output: 3/8 in.

Supply Line Filter
SEA2550

Sealco



Inlet: 3/8 in. Outlet: 3/8 in.

3-Way Air Valve Toggle
TSCPPA-127



